

JinkoSolar Photovoltaic Module



Installation Manual

Solar
Jinko
Building Your Trust in Solar

Contents

1	General Information	1
1.1	Overview	1
1.2	Warnings	1
<hr/>		
2.	Installation	3
2.1	Installation Safety	3
2.2	Installation Condition	5
2.2.1	Climate Condition	5
2.2.2	Site Selection	5
2.2.3	Tilt Angle Selection	6
2.3	Mechanical Installation Introduction	6
2.3.1	Mounting with Bolts	7
2.3.2	Mounting with Clamps	11
<hr/>		
3	Wiring and Connections	22
<hr/>		
4	Maintenance and Care	24
4.1	Visual Inspection	24
4.2	Cleaning	24
4.3	Inspection of Connector and Cable	25
<hr/>		
5	Electrical Specification	25
<hr/>		
6	Disclaimer of Liability	25
<hr/>		
Appendix 1: Applicable Products		26
<hr/>		
Appendix 2: Electrical Specifications		36
<hr/>		

1. General Information

1.1 Overview

Thanks for choosing Jinko Solar PV modules. In order to ensure the PV modules are installed correctly, please read the following installation instructions carefully before modules are installed and used.

Please remember that these products generate electricity and certain safety measures need to be taken to avoid danger.

Make sure the module array is designed in such a way not to exceed the maximum system voltage of any system component such as connectors or inverters.

The assembly is to be mounted over a fire resistant roof covering rated for the application. Before mounting the module, please consult your local building department to determine approved roofing materials.

The modules are qualified for application class A: Hazardous voltage (IEC 61730: higher than 50V DC; EN 61730: higher than 120V), hazardous power applications (higher than 240W) where general contact access is anticipated. Modules qualified for safety through EN IEC 61730 -1 and -2 within this application class are considered to meet the requirements for Safety Class II.

1.2 Warnings



- PV modules generate DC electrical energy when exposed to sunlight or other light sources. Active parts of module such as terminals can result in burns, sparks, and lethal shock.
- Artificially concentrated sunlight shall not be directed on the module or panel.
- Front protective glass is utilized on the module. Broken solar module glass is an electrical safety hazard (may cause electric shock or fire). These modules cannot be repaired and should be replaced immediately.
- To reduce the risk of electrical shocks or burns, modules may be covered with an opaque material during installation to avoid injury.
- The installation work of the PV array can only be done under the protection of sun-sheltering covers or sunshades and only qualified person can install or perform maintenance work on this module.
- Follow the battery manufacture's recommendations if batteries are used with modules.
- Do not use this module to replace or partly replace roofs and walls of living buildings.
- Do not install modules where flammable gas may be present.
- Do not remove any part installed by Jinko Solar or disassemble the module.



- All instructions should be read and understood before attempting to install, wire, operate and maintain the module.
- Don't lift up PV modules using the attached cables or the junction box.
- Do not touch live terminals with bare hands. Use insulated tools for electrical connections.
- Do not use water to extinguish the fire when the power supply is not disconnected.



- All PV systems must be grounded to earth. If there is no special regulation, please follow the National Electrical Code or other national code.
- Under normal conditions, a photovoltaic module is likely to experience conditions that produce more current and/or voltage than reported at standard test conditions. Accordingly, the value of Isc and Voc marked on the module should be multiplied by 1.25 when determining PV system component voltage ratings, conductor current ratings, fuse sizes, and size of controls connected to the PV output.
- Once the PV module has been shipped to the installation site, all of the parts should be unpacked properly with care.
- Do not stand or step on the PV module like below pictures show. This is prohibited and there is a risk of damage to the module and cause injury for you.



- Only PV modules with the same cell size should be connected in series.
- During transporting modules, please attempt to minimize shock or vibration to the module, as this may damage the module or lead to cell micro cracks.
- During all transportation situations, never drop the module from a vehicle, house or hands. This will damage module.
- Modules (glass, junction boxes, connectors, etc.) shall be protected from long-term exposure to environments containing sulfur, strong acid, strong alkaline, etc., which may pose a risk of corrosion

to the product.

- Do not clean the glass with chemicals. Only use tap water. Make sure the module surface temperature is cool to the touch. Cleaning modules with cool water when module surface temp is high may result in glass breakage. Do not brush paint or corrosive substances on the surface of the modules.
- Do not disconnect any of the modules when under load. If you need to disconnect the connector, you must first close the DC and AC converter or disconnect junction box master switch.
- When looking at PV modules with anti-reflection (AR) coating technology, it will be normal to see some cells with a slight color difference at different angles. Modules with LRF(light reflective film) and without LRF should not be built in the same array or roof.
- The junction box connector should not be in contact with oily substances, organic solvents and other corrosive materials to avoid damage to the connector. For example, alcohol, gasoline, lubricants, rust inhibitors, herbicides and so on. If the connector is polluted, need to replace new connector to use again.
- Before the installation of modules, it is recommended to add rainproof facilities in the project site to avoid direct open-air placement.
- The maximum altitude the PV module is designed for $\leq 2000\text{m}$.
- Meaning of crossed –out wheeled dustbin:

Do not dispose of electrical appliances as unsorted municipal waste, use separate collection facilities.

Contact your local government for information regarding the collection systems available.

If electrical appliances are disposed of in landfills or dumps, hazardous substances can leak into the groundwater and get into the food chain, damaging your health and well-being.

When replacing old appliances with new ones, the retailer is legally obligated to take back your old appliance for disposals at least free of charge.



2. Installation

2.1 Installation Safety

- Always wear protective head gear, insulating gloves and safety shoes (with rubber soles) and other protective measures during installation.
- When installing or maintaining the photovoltaic system, please do not wear metal rings, watches and

other metal products, so as not to cause electric shock danger and damage the modules.

- Keep the PV module packed in the carton until installation. Once the modules are removed from the packing box, they should be installed and connected to the bus box in time. If they are not installed immediately, protective measures (such as adding rubber joint cover, etc.) should be taken on the connection head.
- Do not touch the PV module unnecessarily during installation. The glass surface and the frame may be hot. There is a risk of burns and electric shock.
- Do not work in rain, snow or windy conditions.
- Due to the risk of electrical shock, do not perform any work if the terminals of the PV module are wet.
- Use insulated tools and do not use wet tools.
- When installing PV modules, do not drop any objects (e.g., PV modules or tools).
- Make sure flammable gasses are not generated or present near the installation site.
- Insert module connectors fully and correctly. An audible "click" sound should be heard. This sounds confirms the connectors are fully seated. Check all connections.
- Connect the male and female connectors correctly, check the wiring condition, all wires shall not be separated from the modules, and secure the wires with cable ties so that the wires do not scratch or squeeze the back sheet of the modules.
- Do not touch the junction box and the end of the interconnect cables (connectors) with bare hands during installation or under sunlight, regardless if the PV module is connected to or disconnected from the system.
- The junction box must be protected from direct sunlight and water. The connector must meet the IP68 water-tight standard after being connected. However, it is not recommended to use the connector under water for a long time.
- Do not expose the PV module to excessive loads on the surface of the PV module or twist the frame.
- Do not hit or put excessive load on the glass or back sheet, this may break the cells or cause micro cracks.
- During the installation or operation, don't use sharp tools to wipe the back sheet and glass. Scratches can appear on the module.
- Do not drill holes in the frame. It may cause corrosion of the frame.
- When installing modules on roof mounted structures, please try to follow the "from top to bottom" and/or "from left to right" principle, and don't step on the module. This will damage the module and would be dangerous for personal safety.
- Modules will have thermal expansion and cold contraction effect. When installing, the interval between two adjacent conventional modules is recommended $> 10\text{mm}$. The minimum clearance between two adjacent double-sided modules is recommended $> 20\text{mm}$; If there are special requirements, please confirm with Jinko and install it;

- During the installation, disassembly, maintenance and any other related processes of the product, it is recommended that the force applied between the cable and the connector, the cable and the junction box be no more than 60N.

2.2 Installation Condition

2.2.1 Climate Condition

Please install the modules in the following conditions:

- a) Operating temperature: within $-40^{\circ}\text{C}(-40^{\circ}\text{F})$ to $85^{\circ}\text{C} (185^{\circ}\text{F})$
- b) Humidity: $< 85\text{RH}\%$
- c) Ambient air temperature range of -40°C to $+ 40^{\circ}\text{C}$

* Note: The mechanical load bearing (include wind and snow loads) of the module is based on the approved mounting methods. The professional system installer must be responsible for mechanical load calculation according to the system design.

2.2.2 Site Selection

In most applications, Jinko solar PV modules should be installed in a location where they will receive maximum sunlight throughout the year. In the Northern Hemisphere, the module should typically face south, and in the Southern Hemisphere, the modules should typically face north. Modules facing 30 degrees away from true South (or North) will lose approximately 10 to 15 percent of their power output. If the module faces 60 degrees away from true South (or North), the power loss will be 20 to 30 percent. When choosing a site, avoid trees, buildings or obstructions, which could cast shadows on the solar photovoltaic modules especially during the winter months when the arc of the sun is lowest over the horizon. Shading causes loss of output, even though the factory fitted bypass diodes of the PV module will minimize any such loss.

Do not install the PV module near open flame or flammable materials.

When solar modules are used to charge batteries, the battery must be installed in a manner, which will protect the performance of the system and the safety of its users. Follow the battery manufacturer's guidelines concerning installation, operation and maintenance recommendations. In general, the battery (or battery bank) should be away from the main flow of people and animal traffic. Select a battery site that is protected from sunlight, rain, snow, debris, and is well ventilated. Most batteries generate hydrogen gas when charging, which can be explosive. Do not light matches or create sparks near the battery bank. When a battery is installed outdoors, it should be placed in an insulated and ventilated battery case specifically designed for the purpose.

Do not install the PV module in a location where it would be immersed in water or continually exposed to water from a sprinkler or fountain etc.

The PV module can be installed at a distance of 50 m to 500m from the seashore. However, when

installing module within the distance, protect the connectors or add dust plugs. After removing the dust plugs, connect the connectors immediately and take other anti-rust measures to prevent rust.

When the modules are installed on the roof, they must be separated from the roof by more than 10cm to facilitate air circulation and heat dissipation.

2.2.3 Tilt Angle Selection

The tilt angle of the PV module is measured between the surface of the PV module and a horizontal ground surface (Figure 1). The PV module generates maximum output power when it faces the sun directly.

For standalone systems with batteries where the PV modules are attached to a permanent structure, the tilt angle of the PV modules should be selected to optimize the performance based on seasonal load and sunlight. In general, if the PV output is adequate when irradiance is low (e.g., winter), then the angle chosen should be adequate during the rest of the year. For grid-connected installations where the PV modules are attached to a permanent structure, PV modules should be tilted so that the energy production from the PV modules will be maximized on an annual basis. The System Fire Class Rating of a module or panel in a roof mounted system should meet local code requirements in order to achieve the specified System Fire Class Rating for a non-BIPV module or panel.

A minimum slope of 22.5° is required for installations in roof mounted systems in order to maintain the fire class ratings. Any module or panel mounting system have limitations on inclination required to maintain a specific System Fire Class Rating.

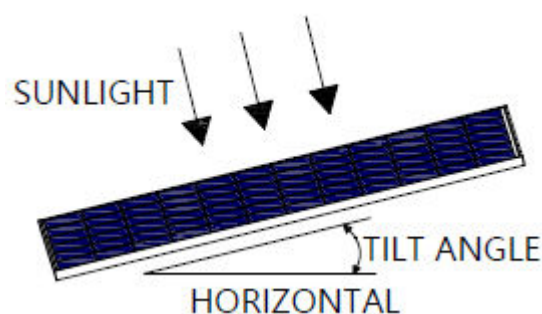


Figure1: PV module tilt angle

2.3 Mechanical Installation Introduction

Solar PV modules usually can be mounted by using the following methods: bolts and clamps.

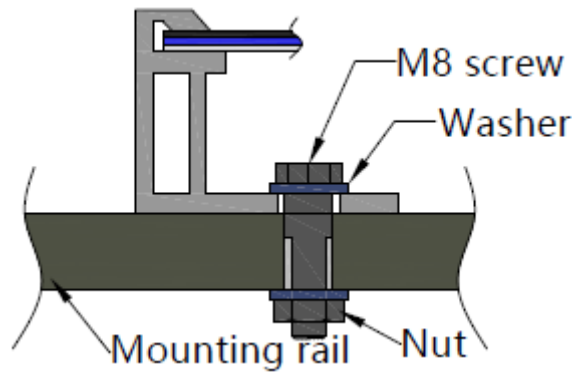
*** Note:**

- 1) All installation methods herein are only for reference, and Jinko solar will not provide related mounting components, the system installer or trained professional personnel must be responsible for the PV system's design, installation, and mechanical load calculation and security of the system.
- 2) Before installation, the following items should be addressed:
 - a) Visually check the module for any damage. Clean the module if any dirt or residue remains from shipping.
 - b) Check if module serial number stickers match.
- 3) Jinko modules are designed to meet a maximum positive (or downward) pressure of 3600Pa (Only refer to the mentioned module type in this manual) and negative (or upward) pressure of 1600Pa.

This design load was then tested with a safety factor of 1.5 times. So Jinko modules are tested under a maximum downward pressure of 5400Pa and upward pressure of 2400Pa. When mounting modules in snow-prone or high-wind environments, special care should be taken to mount the modules in a manner that provides sufficient design strength while meeting local code requirements.

2.3.1 Mounting with Bolts

The frame of each module has 8 mounting holes (Length* Width: 14mm*9mm) used to secure the modules to support structure. The module frame must be attached to a mounting rail using M8 corrosion-proof bolts together with spring washers and flat washers in eight symmetrical locations on the PV module. The applied torque value should be big enough to fix the modules steadily. The reference value for M8 bolt is 16~20N*m. As to special support system or special installation requirement, please reconfirm with the support's supplier for the torque value. Please find detailed mounting information in the below illustration as Figure 2&3.



2.3.1.1 Mounting with Bolts (four mounting holes)

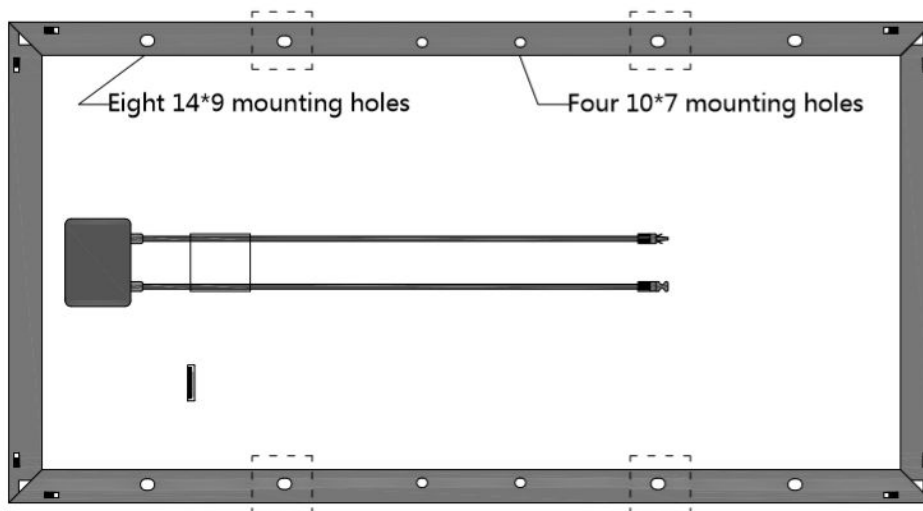


Figure 2: PV module installed with bolt fitting method (four mounting holes)

Module type		Max. Design Pressure: 3600Pa (positive) &1600Pa (negative) mechanical load	
		Module dimensions(mm) A*B	
54P	Height of the frame (mm)	/	30
	Group 65 & 74	/	1722*1134*30
	Group 66 & 75	/	1669*1122 &1685*1132 & 1686*1134 &1687*1134*30
60P	Height of the frame (mm)	30	/
	Group 1	1650*992 & 1665*1002	/
	Group 2	1665*992 & 1684*1002	/
	Group 3	1650*992 & 1665*1002	/
	Group 4	1665*992 & 1684*1002	/
	Group 5	1650*992 & 1665*1002	/
	Group 6	1665*992 & 1684*1002	/
	Group 7	1650*992 & 1665*1002	/
	Group 8	1665*992 & 1684*1002	/
	Group 9	1665*992 & 1684*1002 1672*992 & 1704*1008	/
	Group 20	1704*1008	/
	Group 22	1684*1002	/
	Group 30	1704*1008	/
	Group 46	1684*1002	/
	Group 56	1684*1002	/
	Group 57	/	1693*1029
	Group 58	/	1693*1029
	Group 59	/	1716*1032
	Group 60	/	1716*1032
	Group 56	/	1684*1002
	Group 64	/	1756*1039 & 1750*1039 & 1750*1038
Group 61	/	1693*1029 & 1692*1029	
Group 62	/	1693*1029 & 1692*1029	
Group 67 & 76	/	1884*1122 & 1901*1132 & 1903*1134 & 1904*1134	
Group 68 & 77	/	1868*1134 & 1865*1132 & 1848*1122 & 1868*1134	
Group 86	1726*1023	/	
72P	Height of the frame (mm)	30	35
	Group 10	1956*992 & 1979*1002	/
	Group 11	1987*992 & 2008*1002	/
	Group 12	1956*992 & 1979*1002	/
	Group 13	1987*992 & 2008*1002	/
	Group 14	1956*992 & 1979*1002	/
	Group 15	1987*992 & 2008*1002	/
	Group 16	1956*992 & 1979*1002	/
	Group 17	1987*992 & 2008*1002	/
	Group 18	1987*992 & 2008*1002 & 2031*1008	/

	Group 19	2031*1008	/
	Group 21	2008*1002	/
	Group 29	2031*1008	/
	Group 45	2008*1002	/
	Group 55	2008*1002	/
	Group 71 & 80	/	2274*1134 & 2278*1134
	Group 72 & 81	/	2230*1134
66P	Height of the frame (mm)	30	35
	Group 24	1796*995 & 1796*998	/
	Group 26	1822*1008	/
	Group 28	1822*1008	/
	Group 32	1840*998 & 1841*1002	/
	Group 34	1868*1008 & 1865*1005	/
	Group 36	1868*1008 & 1865*1005	/
	Group 38	1840*998 & 1841*1002	/
	Group 40	1842*1021 & 1842*1024 1855*1029 & 1855*1032	/
	Group 42	1868*1034 & 1878*1032	/
	Group 44	1868*1034 & 1878*1032	/
	Group 48	1842*1021 & 1842*1024 1855*1029 & 1855*1032	/
	Group 50	/	1842*1021 & 1842*1024 & 1855*1029 & 1855*1032
	Group 52	/	1842*1021 & 1842*1024 & 1855*1029 & 1855*1032
	Group 54	/	1840*998*35 (NP)
	Group 69 & 78	/	2067*1122 & 2086*1132 & 2089*1134
Group 70 & 79	/	2027*1122 & 2046*1132 & 2049*1134	
78P	Height of the frame (mm)	30	35
	Group 23	/	2113*995 & 2113*998
	Group 25	/	2130*1002 & 2139*1008
	Group 27	/	2130*1002 & 2139*1008
	Group 31	/	2163*995 & 2167*997 2167*998 & 2166*1002
	Group 33	/	2194*1008 & 2190*1005
	Group 35	/	2194*1008 & 2190*1005
	Group 37	/	2163*995 & 2167*997 2167*998 & 2166*1002
	Group 39	/	2168*1021 & 2168*1024 2182*1029 & 2182*1032
	Group 41	/	2194*1034 & 2205*1032
	Group 43	/	2194*1034 & 2205*1032
	Group 47	/	2168*1021 & 2168*1024 2182*1029 & 2182*1032
	Group 49	/	2182*1029
	Group 51	/	2182*1029
Group 53	/	2166*1002	

	Group 73 & 82	/	2393*1130 & 2385*1122 & 2408*1132 & 2411*1134
	Group 83 & 84	/	2465*1134
	Group 87	2465*1134	2465*1134

Table 1: Mechanical dimensions for bolt fitting method (four mounting holes)

Note: The installation method of bolt fitting (four mounting holes) is based on the internal results in Jinko. The load described in this manual is the design load. When calculating the maximum test load, 1.5 times of safety factor should be considered.

2.3.1.2 Mounting with Bolts (NEXTracker four mounting holes)

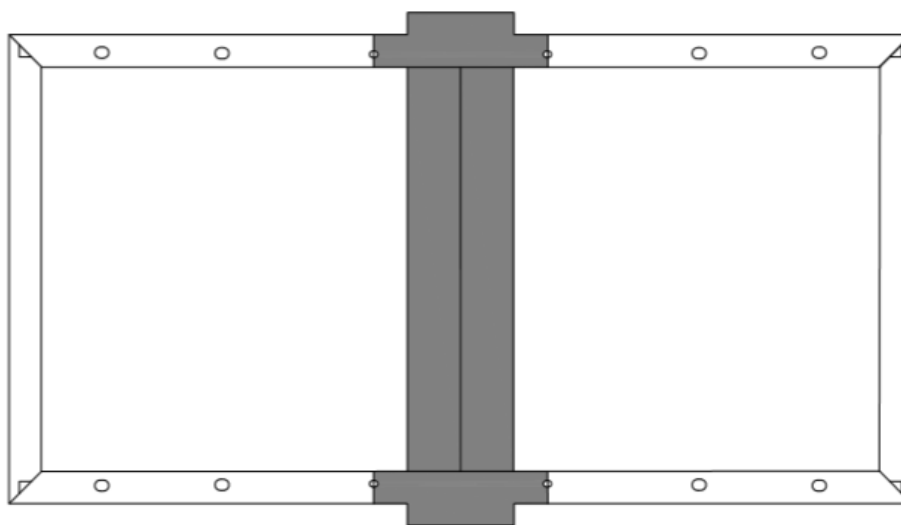


Figure 3: PV module installed with bolt fitting method (NEXTracker)

Module type		Module dimensions(mm) A*B		Maximum designed mechanical load and Method of installation (400mm)
72P	Height of the frame (mm)	40	30	
	JKMxxxM-72-V	1956*992 & 1979*1002		+1067/-1067
	JKMxxxM-72H	1987*992 & 2008*1002		+1067/-1067
	JKMxxxM-72H-TV	1987*992 & 2008*1002		+1067/-1067
	JKMxxxM-72HL4-V	2274*1134*35 & 2278*1134*35		+1400/-1400
78P	Height of the frame (mm)	30	35	
	JKMxxxM-78H-V	/	2167*998 & 2166*1002	+1600/-1600
	JKMxxxM-78H-TV	/	2194*1008	+1600/-1600
	JKMxxxM-7RL3-V	/	2182*1029	+1600/-1600
	JKMxxxM-7RL3-TV	/	2205*1032	+1600/-1600
	JKMxxxN-78HL4-V	2465*1134	2465*1134	+1600/-1600

Table 2: Mechanical dimensions for bolt fitting method (NEXTracker)

Note: The installation method of bolt fitting (NEXTracker) is based on the experimental results in Jinko. The design of the NexTracker tracking bracket, the selection of accessories and the installation of modules should be completed by a professional system installer, which can refer to Jinko's mechanical load. The load described in this manual is the design load. When calculating the maximum test load, 1.5 times of safety factor should be considered.

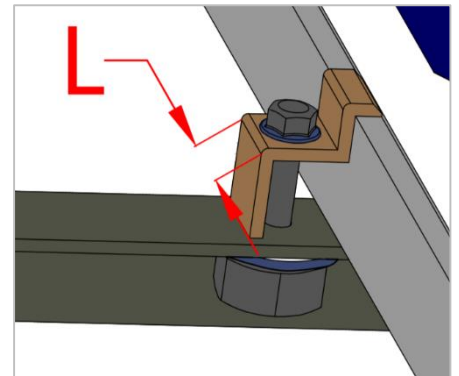
If the design load is greater than 1067Pa (test load is 1600Pa), please consult the NEXTracker supplier.

2.3.2 Mounting with clamps

The module clamps should not come into contact with the front glass and must not deform the frame. Be sure to avoid shadowing effects from the module clamps. The module frame is not to be modified under any circumstances. When choosing this type of clamp-mounting method, please be sure to use at least four clamps on each module, two clamps should be attached on each long sides of the module. Depending on the local wind and snow loads, if excessive pressure load is expected, additional clamps or support would be required to ensure the module can bear the load. The applied torque value should be big enough to fix the modules steadily (Please consult with the clamp or support's supplier for the specific torque value, Such as M8 Screw torque reference value is 16~20N*M). Please find detailed mounting information in the below illustration, the mounting place distance is suggested bigger than J and less than K. The installation diagram of clamp is shown in figure 4.

Note: The Movement of the mounting rail and the clamps center line are recommended to be within the black arrow area.

As shown in the figure on the right, the minimum length L of the clamps is 50mm.



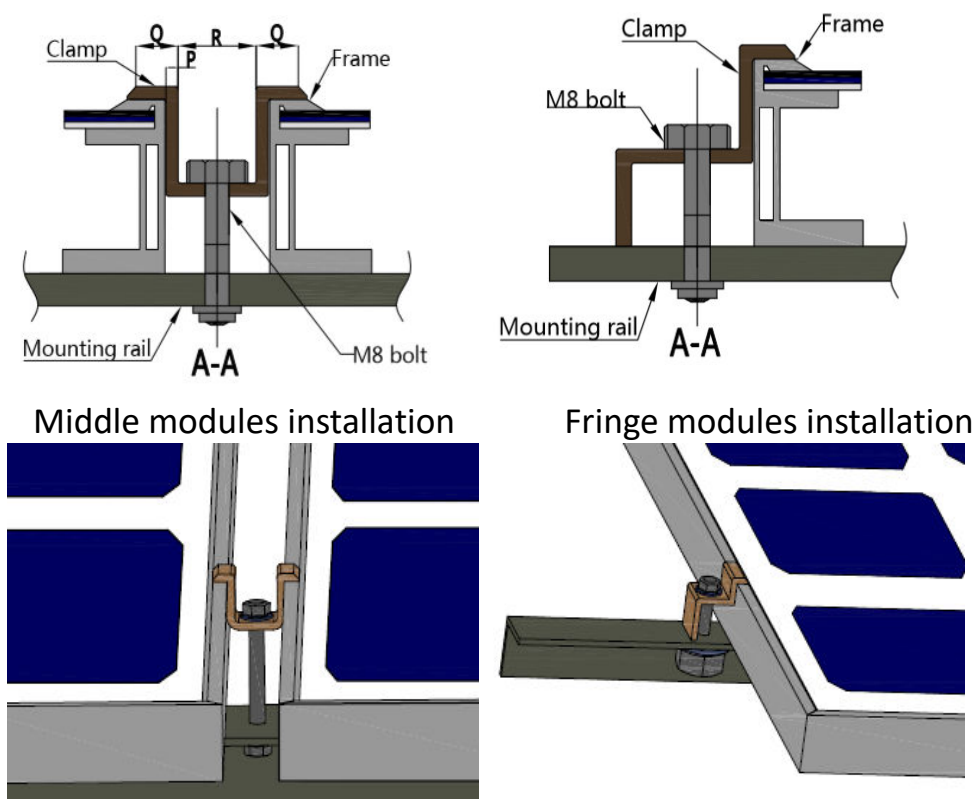


Figure 4: PV module installed at the side with Clamp fitting method

Clamp type	Dimension(mm)			Composition material
End Clamp (40 mm thickness)	39 x 50 x 42			Aluminum-alloy
	39 x 60 x 42(For 1.5mm thickness frame)			
End Clamp (35 mm thickness)	41.5 x 50 x 40			
End Clamp (30 mm thickness)	41.5 x 50 x 35			
Middle Clamp (40 mm & 35 mm thickness)	42 x 50 x 28			
	42 x 60 x 28(For 1.5mm thickness frame)			
	Q	R	P	
	13.5	15	2.5	
Middle Clamp (30 mm thickness)	42 x 50 x 29.5			
	Q	R	P	
	14	14	3	

Table 3: Mechanical dimensions, specification and material when modules installed with mid Clamp

When installing modules using clamps on the long side of the frame, the applicable product types and installation locations are shown in figure 5 and table 4.

When installing modules using clamps on the short side of the frame, the applicable product types and installation locations are shown in figure 6 and table 5.

When installing modules using clamps on the long side & short side of the frame, the applicable product

types and installation locations are shown in figure 7 and table 6.

When installing modules using clamps on the long side of the frame, the applicable product types and installation locations (The without C transparent backsheet series module) are shown in figure 8 and table 7.

2.3.2.1 Clamp Mounting on Long Sides of the Frames

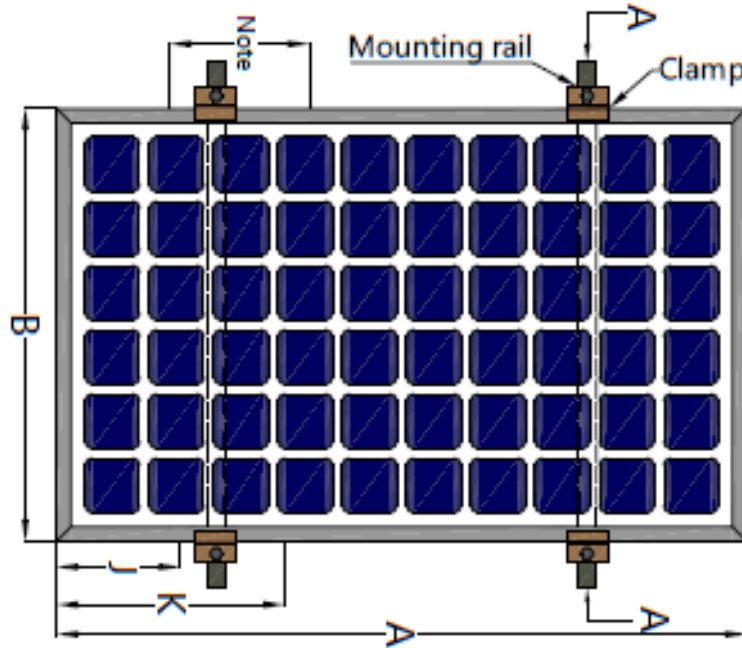


Figure 5: Installation of clamps on long side of frames

Module type	Max. Design Pressure:		3600Pa (positive) & 1600Pa (negative) mechanical load		3600Pa (positive) & 1600Pa (negative) mechanical load	
	Module dimensions(mm) A*B		J	K	J	K
54P	Height of the frame (mm)		35		30	
	Group 65 & 74	1722*1134*30	/		L/4±50mm (L is the length of the long side of the module)	
	Group 66 & 75	1669*1122 & 1685*1132 & 1686*1134 & 1687*1134*30	/			
60P	Height of the frame (mm)		35		30	
	Group 1	1650*992 & 1665*1002	280	420	L/4±50mm (L is the length of the long side of the module)	
	Group 2	1665*992 & 1684*1002	280	420		
	Group 3	1650*992 & 1665*1002	280	420		
	Group 4	1665*992 & 1684*1002	280	420		
	Group 5	1650*992 & 1665*1002	280	420		
	Group 6	1665*992 & 1684*1002	280	420		
	Group 7	1650*992 & 1665*1002	280	420		
	Group 8	1665*992 & 1684*1002	280	420		
	Group 9	1665*992 & 1684*1002 1672*992 & 1704*1008	280	420		
	Group 20	1704*1008	280	420		
	Group 22	1684*1002	280	420		

	Group 30	1704*1008	280	420	
	Group 46	1684*1002	280	420	
	Group 57	1693*1029	/	/	
	Group 58	1693*1029	/	/	
	Group 59	1716*1032	/	/	
	Group 60	1716*1032	/	/	
	Group 56	1684*1002	280	420	
	Group 64	1756*1039 & 1750*1039 & 1750*1038	/	/	
	Group 61	1693*1029 & 1692*1029	/	/	
	Group 62	1693*1029 & 1692*1029	/	/	
	Group 67 & 76	1884*1122 & 1901*1132 & 1903*1134 & 1904*1134	/	/	
	Group 68 & 77	1868*1134 & 1865*1132 & 1848*1122 & 1868*1134	/	/	
Group 86	1726*1023	L/4±50mm (L is the length of the long side of the module)		/	
72P	Height of the frame (mm)		40		30
	Group 10	1956*992 & 1979*1002	280	420	L/4±50mm (L is the length of the long side of the module)
	Group 11	1987*992 & 2008*1002	280	420	
	Group 12	1956*992 & 1979*1002	280	420	
	Group 13	1987*992 & 2008*1002	280	420	
	Group 14	1956*992 & 1979*1002	280	420	
	Group 15	1987*992 & 2008*1002	280	420	
	Group 16	1956*992 & 1979*1002	280	420	
	Group 17	1987*992 & 2008*1002	280	420	
	Group 18	1987*992 & 2008*1002 & 2031*1008	280	420	
	Group 19	2031*1008	280	420	
	Group 21	2008*1002	280	420	
	Group 29	2031*1008	280	420	
	Group 45	2008*1002	280	420	
	Group 55	2008*1002	280	420	
	Height of the frame (mm)		35		/
Group 63	2096*1039 & 2090*1039 & 2090*1038	L/4±50mm (L is the length of the long side of the module)		/	
Group 85	2061*1023	L/4±50mm (L is the length of the long side of the module)		/	
Group 71 & 80	2274*1134 & 2278*1134	400	500	/	
Group 72 & 81	2230*1134	400	500	/	
66P	Height of the frame (mm)		35		30
	Group 24	1796*995 & 1796*998	280	420	L/4±50mm (L is the length of the long side of the module)
	Group 26	1822*1008	280	420	
	Group 28	1822*1008	280	420	
	Group 32	1840*998 & 1841*1002	280	420	
	Group 34	1868*1008 & 1865*1005	280	420	
	Group 36	1868*1008 & 1865*1005	280	420	
	Group 38	1840*998 & 1841*1002	280	420	
Group 40	1842*1021 & 1842*1024 & 1855*1029 & 1855*1032	280	420		

	Group 42	1868*1034 & 1878*1032	280	420		
	Group 44	1868*1034 & 1878*1032	280	420		
	Group 48	1842*1021 & 1842*1024 & 1855*1029 & 1855*1032	280	420		
	Group 50	1842*1021 & 1842*1024 & 1855*1029 & 1855*1032	280	420		
	Group 52	1842*1021 & 1842*1024 & 1855*1029 & 1855*1032	280	420		
	Group 54	1840*998*35 (NP) 1841*1002*30 (CDF)	280	420		
	Group 69 & 78	2067*1122 & 2086*1132 & 2089*1134	L/4±50mm (L is the length of the long side of the module)		/	
	Group 70 & 79	2027*1122 & 2046*1132 & 2049*1134			/	
78P	Height of the frame (mm)		40		35	
	Group 23	2113*995 & 2113*998	380	520	L/4±50mm (L is the length of the long side of the module)	
	Group 25	2130*1002 & 2139*1008	380	520		
	Group 27	2130*1002 & 2139*1008	380	520		
	Group 31	2163*995 & 2167*997 2167*998 & 2166*1002	380	520		
	Group 33	2194*1008 & 2190*1005	380	520		
	Group 35	2194*1008 & 2190*1005	380	520		
	Group 37	2163*995 & 2167*997 2167*998 & 2166*1002	380	520		
	Group 39	2168*1021 & 2168*1024 & 2182*1029 & 2182*1032	385	530	400	500
	Group 41	2194*1034 & 2205*1032	390	540	400	500
	Group 43	2194*1034 & 2205*1032	390	540	400	500
	Group 47	2168*1021 & 2168*1024 & 2182*1029 & 2182*1032	385	530	400	500
	Group 49	2168*1021 & 2168*1024 & 2182*1029 & 2182*1032	385	530	400	500
	Group 51	2168*1021 & 2168*1024 & 2182*1029 & 2182*1032	385	530	400	500
	Group 53	2166*1002	/	/	L/5~L/4 (L is the length of the long side of the module)	
	Group 73 & 82	2393*1130 & 2385*1122 & 2408*1132 & 2411*1134	/	/		
	Group 83 & 84	2465*1134	/	/		
	Group 87	2465*1134*30 & 2465*1134*35	L/5~L/4 (L is the length of the long side of the module)			

Table 4: Mechanical dimensions of modules installed with clamps on long side of frame

The load described in this manual is the design load. When calculating the maximum test load, 1.5 times of safety factor should be considered.

Note: The Group 39 & 41 & 43 & 47 & 49 & 51 35 frame (400-500 installation position) and the Group 71 & 72 & 80 & 81 35 frame (400-500 installation position) in the installation method of long side clips are based on the internal results of Jinko.

2.3.2.2 Clamp Mounting on Short Sides of the Frames

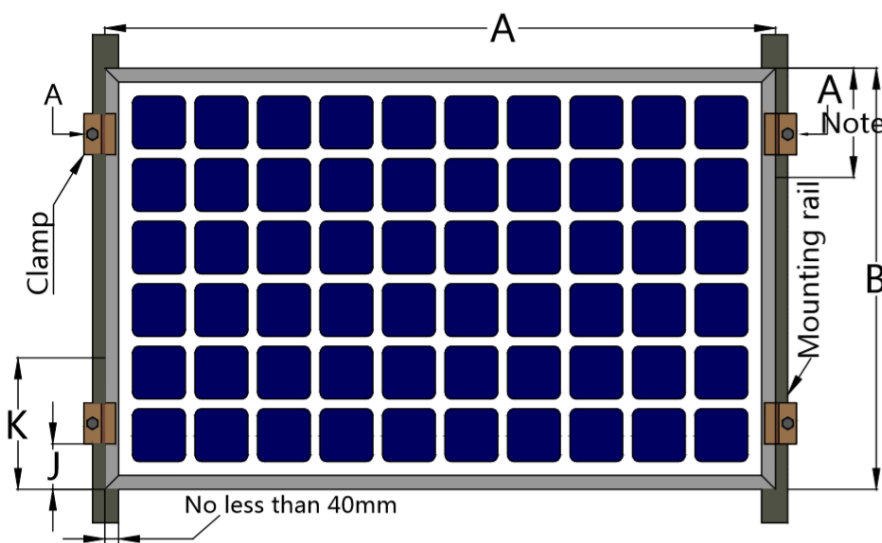


Figure 6: Installation of clamps on short side of frames

Module type	Max. Design Pressure:		1067Pa (positive) & 1067Pa (negative) mechanical load		1067Pa (positive) & 1067Pa (negative) mechanical load	
	Module dimensions(mm) A*B		J	K	J	K
54P	Height of the frame (mm)		35		30	
	Group 65 & Group 74	1722*1134	/	/	100	240
60P	Height of the frame (mm)		35		30	
	Group 1	1650*992 & 1665*1002	50	240	100	240
	Group 2	1665*992 & 1684*1002	50	240	100	240
	Group 3	1650*992 & 1665*1002	50	240	100	240
	Group 4	1665*992 & 1684*1002	50	240	100	240
	Group 5	1650*992 & 1665*1002	50	240	100	240
	Group 6	1665*992 & 1684*1002	50	240	100	240
	Group 7	1650*992 & 1665*1002	50	240	100	240
	Group 8	1665*992 & 1684*1002	50	240	100	240
	Group 9	1665*992 & 1684*1002 1672*992 & 1704*1008	50	240	100	240
	Group 20	1704*1008	50	240	100	240
	Group 22	1684*1002	50	240	100	240
	Group 30	1704*1008	50	240	100	240
	Group 46	1684*1002	50	240	100	240
Group 67 & Group 76	1903*1134	/	/	100	240	
72P	Height of the frame (mm)		40		30	
	Group 10	1956*992 & 1979*1002	50	240	100	240

	Group 11	1987*992 & 2008*1002	50	240	100	240
	Group 12	1956*992 & 1979*1002	50	240	100	240
	Group 13	1987*992 & 2008*1002	50	240	100	240
	Group 14	1956*992 & 1979*1002	50	240	100	240
	Group 15	1987*992 & 2008*1002	50	240	100	240
	Group 16	1956*992 & 1979*1002	50	240	100	240
	Group 17	1987*992 & 2008*1002	50	240	100	240
	Group 18	1987*992 & 2008*1002 & 2031*1008	50	240	100	240
	Group 19	2031*1008	50	240	100	240
	Group 21	2008*1002	50	240	100	240
	Group 29	2031*1008	50	240	100	240
	Group 45	2008*1002	50	240	100	240
66P	Height of the frame (mm)		/		30	
	Group 24	1796*995 & 1796*998	/	/	130	240
	Group 26	1822*1008	/	/	130	240
	Group 28	1822*1008	/	/	130	240
	Group 32	1840*998 & 1841*1002	/	/	130	240
	Group 34	1868*1008 & 1865*1005	/	/	130	240
	Group 36	1868*1008 & 1865*1005	/	/	130	240
	Group 38	1840*998 & 1841*1002	/	/	130	240
	Group 40	1842*1021 & 1842*1024 & 1855*1029 & 1855*1032	/	/	130	240
	Group 42	1868*1034 & 1878*1032	/	/	130	240
	Group 44	1868*1034 & 1878*1032	/	/	130	240
	Group 48	1842*1021 & 1842*1024 & 1855*1029 & 1855*1032	/	/	130	240

Table 5: Mechanical dimensions of modules installed with clamps on short side of frame

Note: The installation method of clamps on short sides is based on the internal results in Jinko.

The load described in this manual is the design load. When calculating the maximum test load, 1.5 times of safety factor should be considered.

2.3.2.3 Clamp Mounting on Long & Short Sides

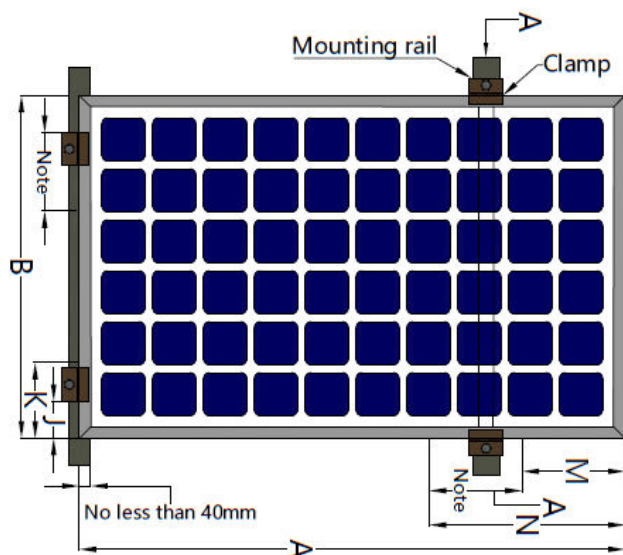


Figure 7: Installation methods of clamps on long and short sides

Module type		Max. Design Pressure:	1600Pa (positive) &1600Pa (negative) mechanical load				1600Pa (positive) &1600Pa (negative) mechanical load			
		Module dimensions(mm) A*B	J	K	M	N	J	K	M	N
54P	Height of the frame (mm)		35				30			
	Group 65 & Group 74	1722*1134	/	/	/	/	100	240	L/4±50mm (L is the length of the long side of the module)	
60P	Height of the frame (mm)		35				30			
	Group 1	1650*992 & 1665*1002	50	240	280	420	100	240	L/4±50mm (L is the length of the long side of the module)	
	Group 2	1665*992 & 1684*1002	50	240	280	420	100	240		
	Group 3	1650*992 & 1665*1002	50	240	280	420	100	240		
	Group 4	1665*992 & 1684*1002	50	240	280	420	100	240		
	Group 5	1650*992 & 1665*1002	50	240	280	420	100	240		
	Group 6	1665*992 & 1684*1002	50	240	280	420	100	240		
	Group 7	1650*992 & 1665*1002	50	240	280	420	100	240		
	Group 8	1665*992 & 1684*1002	50	240	280	420	100	240		
	Group 9	1665*992 & 1684*1002	50	240	280	420	100	240		

		1672*992 & 1704*1008							
	Group 20	1704*1008	50	240	280	420	100	240	
	Group 22	1684*1002	50	240	280	420	100	240	
	Group 30	1704*1008	50	240	280	420	100	240	
	Group 46	1684*1002	50	240	280	420	100	240	
	Group 64	1756*1039	/	/	/	/	100	240	
	Group 67 & Group 76	1903*1134	/	/	/	/	100	240	
	Height of the frame (mm)		40				30		
72P	Group 10	1956*992 & 1979*1002	50	240	280	480	100	240	L/4±50mm (L is the length of the long side of the module)
	Group 11	1987*992 & 2008*1002	50	240	280	480	100	240	
	Group 12	1956*992 & 1979*1002	50	240	280	480	100	240	
	Group 13	1987*992 & 2008*1002	50	240	280	480	100	240	
	Group 14	1956*992 & 1979*1002	50	240	280	480	100	240	
	Group 15	1987*992 & 2008*1002	50	240	280	480	100	240	
	Group 16	1956*992 & 1979*1002	50	240	280	480	100	240	
	Group 17	1987*992 & 2008*1002	50	240	280	480	100	240	
	Group 18	1987*992 & 2008*1002 & 2031*1008	50	240	280	480	100	240	
	Group 19	2031*1008	50	240	280	480	100	240	
	Group 21	2008*1002	50	240	280	480	100	240	
	Group 29	2031*1008	50	240	280	480	100	240	
	Group 45	2008*1002	50	240	280	480	100	240	
	Height of the frame (mm)		/				30		
66P	Group 24	1796*995 & 1796*998	/	/	/	/	130	240	L/4±50mm (L is the length of the long side of the module)
	Group 26	1822*1008	/	/	/	/	130	240	
	Group 28	1822*1008	/	/	/	/	130	240	
	Group 32	1840*998 & 1841*1002	/	/	/	/	130	240	
	Group 34	1868*1008 & 1865*1005	/	/	/	/	130	240	
	Group 36	1868*1008 & 1865*1005	/	/	/	/	130	240	
	Group 38	1840*998 & 1841*1002	/	/	/	/	130	240	
	Group 40	1842*1021 & 1842*1024 & 1855*1029 & 1855*1032	/	/	/	/	130	240	

	Group 42	1868*1034 & 1878*1032	/	/	/	/	130	240	
	Group 44	1868*1034 & 1878*1032	/	/	/	/	130	240	
	Group 48	1842*1021 & 1842*1024 & 1855*1029 & 1855*1032	/	/	/	/	130	240	
	Height of the frame (mm)		/				35		
78P	Group 23	2113*995 & 2113*998	/	/	/	/	130	240	L/4±50mm (L is the length of the long side of the module)
	Group 25	2130*1002 & 2139*1008	/	/	/	/	130	240	
	Group 27	2130*1002 & 2139*1008	/	/	/	/	130	240	
	Group 31	2163*995 & 2167*997 2167*998 & 2166*1002	/	/	/	/	130	240	
	Group 33	2194*1008 & 2190*1005	/	/	/	/	130	240	
	Group 35	2194*1008 & 2190*1005	/	/	/	/	130	240	
	Group 37	2163*995 & 2167*997 2167*998 & 2166*1002	/	/	/	/	130	240	
	Group 39	2168*1021 & 2168*1024 & 2182*1029 & 2182*1032	/	/	/	/	130	240	
	Group 41	2194*1034 & 2205*1032	/	/	/	/	130	240	
	Group 43	2194*1034 & 2205*1032	/	/	/	/	130	240	
	Group 47	2168*1021 & 2168*1024 & 2182*1029 & 2182*1032	/	/	/	/	130	240	

Table 6: Mechanical dimensions of modules installed with clamps on short side of frame

Note: The installation method of clamps on long and short sides is based on the internal results in Jinko. The load described in this manual is the design load. When calculating the maximum test load, 1.5 times of safety factor should be considered.

2.3.2.4 Clamp Mounting on Long Sides of the Frames (The without C transparent backsheet series module)

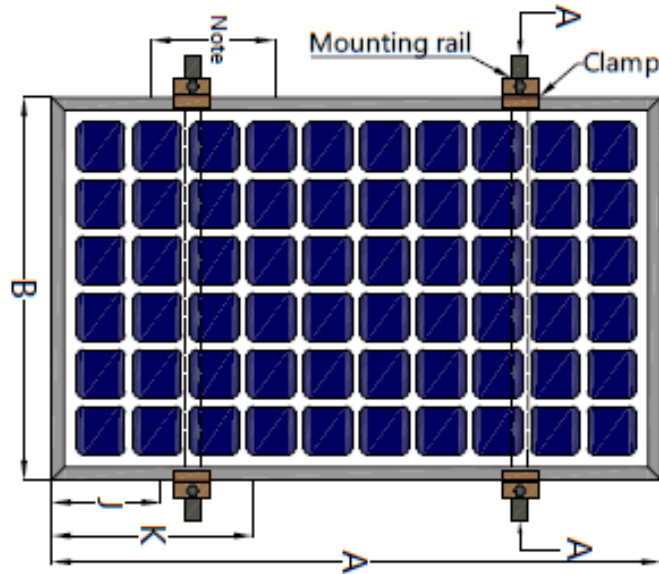


Figure 8: Installation methods of clamps on long sides

Module type	Max. Design Pressure:		3600Pa (positive) &1600Pa (negative) mechanical load	
	Module dimensions(mm) A*B		J	K
72P	Height of the frame (mm)		40	
	Group 19	2031*1008	300	480
	Group 29	2031*1008	300	480
78P	Height of the frame (mm)		40	
	Group 25	2130*1002 & 2139*1008 & 2110*998	300	480
	Group 27	2130*1002 & 2139*1008 & 2110*998	300	480
	Group 33	2194*1008 & 2190*1005	300	480
	Group 35	2194*1008 & 2190*1005	300	480
	Group 41	2194*1034 & 2205*1032	390	540
	Group 43	2194*1034 & 2205*1032	390	540

Table 7: Mechanical dimensions when modules installed at long side with Clamp fitting method

The load described in this manual is the design load. When calculating the maximum test load, 1.5 times of safety factor should be considered.

3. Wiring and Connection

- a) Before this procedure, please read the operation instructions of the PV system carefully. Make wiring by Multi-connecting cables between the PV modules in series or parallel connection, which is determined by user's configuration requirement for system power, current and voltage.

When installing and connecting modules, the foam tube must be removed first, Jinko will not guarantee the safety of products and the consistency of technical parameters if the connecting heads and tools used are not officially specified by Jinko or are not installed according to the official requirements.

- b) PV modules connected in series should have similar current, and modules must not be connected together to create a voltage higher than the permitted system voltage. The maximum number of modules in series depends on system design, the type of inverter used and environmental conditions.
- c) The maximum fuse rating value in an array string can be found on the product label or in the product datasheet. The fuse rating value is also corresponding to the maximum reverse current that a module can withstand, i.e. when one string is in shade then the other parallel strings of modules will be loaded by the shaded string and the current will pass through to create a current circuit. Based on the maximum series fuse rating of module and local electrical codes and standards, make sure the modules strings in parallel are protected with the appropriate in-line string fusing.
- d) Open the combiner box of the control system and connect the conductor from the PV arrays to the combiner box in accordance with the design and local codes and standards. The cross-sectional area and cable connector capacity must satisfy the maximum short-circuit of the PV system (for a single component, we recommended that the cross-sectional area of cables be 4mm^2 and the rated current of connectors be more than 10A), otherwise cables and connectors will become overheating for large current. Please pay attention to the temperature limit of cables is 85°C .
- e) All module frames and mounting racks must be properly grounded in accordance with local and national electrical codes. Attach the equipment grounding conductor to the module frame using the hole and hardware provided. Note that a stainless steel star washer is used between the ground wire and module frame (see Figure 9 below). This washer is used to avoid corrosion due to dissimilar metals. Tighten the screw securely.

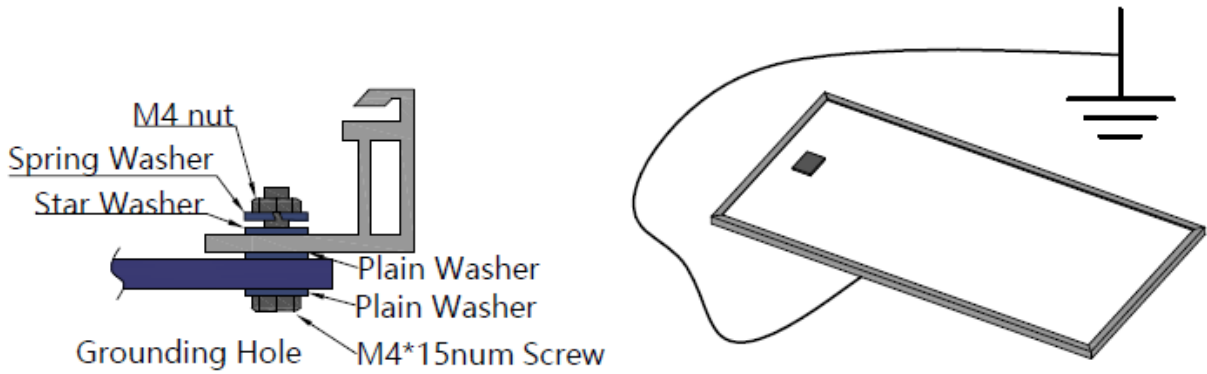


Figure 9: Ground installation of PV modules

- f) Follow the requirements of applicable local and national electrical codes.
- g) These modules contain factory installed by pass diode .If these modules are incorrectly connected to each other, the bypass diodes, cable or junction box may be damaged.
- h) The cable of the junction box is defined as L, as showed below in Figure 10. For Jinko standard full module L is 900/1200mm, the half-cut module L is 145/290mm, and the SWAN bifacial module L is 150/250mm. For customized module, L can be based on your condition. Please take the cable length into consideration before designing the wiring layout.

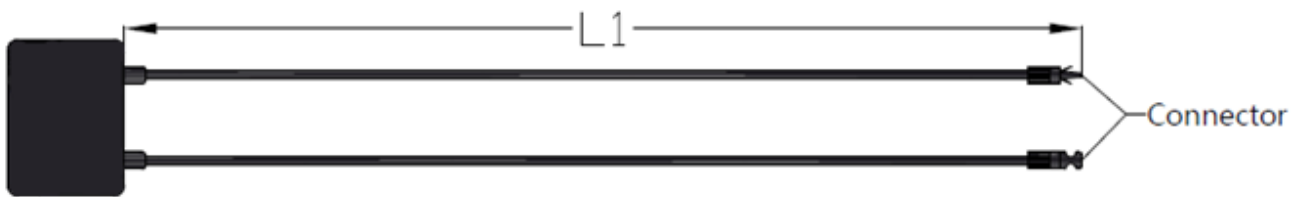


Figure 10 (1): The full module junction box

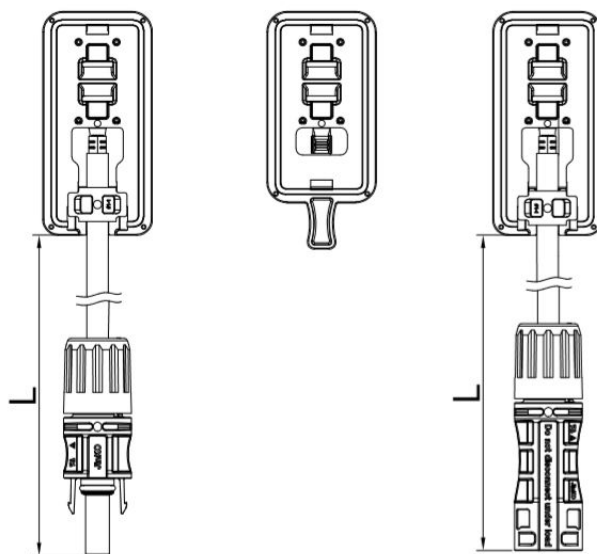


Figure 10 (2): The half-cut module/SWAN bifacial module junction box

- i) It is recommend to use negatively grounded inverters to avoid the PID effect for non-PID free modules.
- j) If modules are connected in series, the total voltage is equal to the sum of individual voltages. The recommended as below,

$$\text{System voltage} \geq N * \text{Voc} [1 + \text{TCVoc} * (\text{Tmin} - 25)]$$
 Where
 N module numbers in series
 Voc Open circuit voltage (refer to product label or data sheet)
 TCVoc Temperature coefficient of open circuit voltage (refer to product label or data sheet)
 Tmin Minimum ambient temperature
- k) For water projects, the project system design recommends the installation of inverter negative ground to avoid PID effect
- l) If the inverter purchased by customers does not have the function of negative ground, Jinko can provide PID restorer solutions and recommended PID restorer manufacturers for customers' reference.
- m) Connectors and bybass diodes from different manufacturers should not be mated together. If need to replace, please contact Jinko Solar.

4. Maintenance and Care

It is required to perform regular inspection and maintenance of the modules, especially during the warranty period. To ensure optimum module performance, Jinko recommends the following maintenance measures:

4.1 Visual Inspection

Inspect the modules visually to find if there are any visual defects, If there are, the following items should be evaluated:

- a) If modules are observed having slight cell color differences at different angles, this is a normal phenomenon of modules with anti-reflection coating technology.
- b) Whether the glass is broken.
- c) No sharp objects are in contact with the PV module surfaces.
- d) PV modules are not shaded by unwanted obstacles and; or foreign material.
- e) Corrosion along the cells' bus-bar. The corrosion is caused by moisture intrusion thought the module back sheet. Check the back sheet for damage.
- f) Check whether the back sheet is burn out.
- g) Check if screws and mounting brackets are tight, adjust and tighten as necessary.

4.2 Cleaning

- a) A build up of dust or dirt on the module(s) front face will result in a decreased energy output. Clean the panel(s) preferably once per annum if possible (depend on site conditions) using a soft cloth dry or damp, as necessary. Water with high mineral content may leave deposits on the glass surface and is not recommended. It is recommended to use neutral water to clean the glass to avoid strong acid and alkali, so as not to cause damage to the glass coating layer;
- b) Never use abrasive material under any circumstances.
- c) In order to reduce the potential for electrical and thermal shock, Jinko recommends cleaning PV modules during early morning or late afternoon hours when solar radiation is low and the modules are cooler, especially in regions with hotter temperatures.
- d) Never attempt to clean a PV module with broken glass or other signs of exposed wiring, as this presents a shock hazard.
- e) Never use chemicals when cleaning modules as this may affect the module warranty and energy output.

4.3 Inspection of Connector and Cable

It's recommended to implement the following preventive maintenance every 6 months:

- a) Check the sealing gels of the junction box for any damage.
- b) Examine the PV module(s) for signs of deterioration. Check all wiring for possible rodent damage, weathering and that all connections are tight and corrosion free. Check electrical leakage to ground.

5. Electrical Specification

The module electrical rating are measured under Standard Test Conditions, which are 1000W/m², irradiance with AM 1.5 spectrum and 25 deg (77°F) ambient temperature. The module might produce more or less voltage or current than rated value in uncertainty condition.

6. Disclaimer of Liability

Because the use of the manual and the conditions or methods of installation, operation, use and maintenance of photovoltaic (PV) product are beyond Jinko's control, Jinko does not accept responsibility and expressly disclaims liability for loss, damage, or expense arising out of or in any way connected with such installation, operation, use or maintenance.

No responsibility is assumed by Jinko for any infringement of patents or other rights of third parties, which may result from use of the PV product. NO license is granted by implication or otherwise under any patent or patent rights.

The information in this manual is based on Jinko's knowledge and experience and is believed to be

reliable, but such information including product specification (without limitations) and suggestions do not constitute a warranty, expresses or implied. Jinko reserve the right to change the manual, the PV produce, the specifications, or product information sheets without prior notice.

Appendix 1 : Applicable Products

This document is applicable to the series of solar modules as listed below:

With 6” poly and mono c-Si:

Group 1

JKMxxxPP ^① -60	JKMxxxPP-60(Plus) ^②	JKMS ^③ xxxPP-60	JKMSxxxPP-60-J
JKMxxxPP-60-V ^④	JKMxxxPP-60(Plus) -V	JKMSxxxPP-60-V	JKMSxxxPP-60-V-J
JKMxxxPP-60B			

(xxx=260~290,in increment of 5)

Group 2

JKMxxxPP-60H ^⑤	JKMxxxPP-60H-V	JKMxxxPP-60HB	
---------------------------	----------------	---------------	--

(xxx =260~315,in increment of 5)

Group 3

JKMSxxxPP-60-V-MX3	JKMSxxxPP-60B-V-MX3	JKMSxxxPP-60-MX3	JKMSxxxPP-60B -MX3
JKMSxxxPP-60L-V-MX3	JKMSxxxPP-60BL-V-MX3	JKMSxxxPP-60L -MX3	JKMSxxxPP-60BL -MX3

(xxx =260~290,in increment of 5)

Group 4

JKMSxxxPP-60H-V-MX3	JKMSxxxPP-60HB-V-MX3	JKMSxxxPP-60H-MX3	JKMSxxxPP-60HB -MX3
JKMSxxxPP-60HL-V-MX3	JKMSxxxPP-60HBL-V-MX3	JKMSxxxPP-60HL -MX3	JKMSxxxPP-60HBL -MX3

(xxx =260~315,in increment of 5)

Group 5

JKMxxxM-60	JKMxxxM-60(Plus)	JKMSxxxM-60	JKMSxxxM-60-J
JKMxxxM-60-V	JKMxxxM-60(Plus)- V	JKMSxxxM-60-V	JKMSxxxM-60-V-J
JKMxxxM-60B			
JKMSxxxM-60-TI	JKMSxxxM-60-V-TI	JKMSxxxM-60B-TI	JKMSxxxM-60B-V-TI

(xxx =270~340,in increment of 5)

JKMxxxM-60L	JKMxxxM-60L-V	JKMxxxM-60BL	
JKMSxxxM-60L-TI	JKMSxxxM-60L-V-TI	JKMSxxxM-60BL-TI	JKMSxxxM-60BL-V-TI

(xxx =270~340,in increment of 5)

Group 6

JKMxxxM-60H	JKMxxxM-60H-V	JKMxxxM-60HB	
JKMSxxxM-60H-TI	JKMSxxxM-60H-V-TI	JKMSxxxM-60HB-TI	JKMSxxxM-60HB-V-TI

(xxx =270~350,in increment of 5)

JKMxxxM-60HL	JKMxxxM-60HL-V	JKMxxxM-60HBL	
JKMSxxxM-60HL-TI	JKMSxxxM-60HL-V-TI	JKMSxxxM-60HBL-TI	JKMSxxxM-60HBL-V-TI

(xxx =270~350,in increment of 5)

Group 7

JKMSxxxM-60-V-MX3	JKMSxxxM-60B-V-MX3	JKMSxxxM-60-MX3	JKMSxxxM-60B -MX3
JKMSxxxM-60L-V-MX3	JKMSxxxM-60BL-V-MX3	JKMSxxxM-60L- MX3	JKMSxxxM-60BL -MX3

(xxx =270~340,in increment of 5)

Group 8

JKMSxxxM-60H-V-MX3	JKMSxxxM-60HB-V-MX3	JKMSxxxM-60H-MX3	JKMSxxxM-60HB-MX3
JKMSxxxM-60HL-V-MX3	JKMSxxxM-60HBL-V-MX3	JKMSxxxM-60HL-MX3	JKMSxxxM-60HBL-MX3

(xxx =270~340,in increment of 5)

Group 9

JKMxxxM-60H-TV	JKMxxxM-60HL-TV	JKMxxxM-60H-T	JKMxxxM-60HL-T
----------------	-----------------	---------------	----------------

(xxx =315~355,in increment of 5)

JKMxxxN-60H-TV	JKMxxxN-60HL-TV	JKMxxxN-60H-T	JKMxxxN-60HL-T
----------------	-----------------	---------------	----------------

(xxx =315~355,in increment of 5)

Group 10

JKMxxxPP-72	JKMxxxPP-72(Plus)	JKMSxxxPP-72	JKMSxxxPP-72-J
JKMxxxPP-72-V	JKMxxxPP-72(Plus)-V	JKMSxxxPP-72-V	JKMSxxxPP-72-V-J
JKMxxxPP-72B			

(xxx =320~355,in increment of 5)

Group 11

JKMxxxPP-72H	JKMxxxPP-72H-V	JKMxxxPP-72HB	
--------------	----------------	---------------	--

(xxx =330~380,in increment of 5)

Group 12

JKMSxxxPP-72-V-MX3	JKMSxxxPP-72B-V-MX3	JKMSxxxPP-72-MX3	JKMSxxxPP-72B-MX3
JKMSxxxPP-72L-V-MX3	JKMSxxxPP-72BL-V-MX3	JKMSxxxPP-72L-MX3	JKMSxxxPP-72BL-MX3

(xxx =320~355,in increment of 5)

Group 13

JKMSxxxPP-72H-V-MX3	JKMSxxxPP-72HB-V-MX3	JKMSxxxPP-72H-MX3	JKMSxxxPP-72HB-MX3
JKMSxxxPP-72HL-V-MX3	JKMSxxxPP-72HBL-V-MX3	JKMSxxxPP-72HL-MX3	JKMSxxxPP-72HBL-MX3

(xxx =330~380,in increment of 5)

Group 14

JKMxxxM-72	JKMxxxM-72(Plus)	JKMSxxxM-72	JKMSxxxM-72-J
JKMxxxM-72-V	JKMxxxM-72(Plus)-V	JKMSxxxM-72-V	JKMSxxxM-72-V-J
JKMxxxM-72B			
JKMSxxxM-72-TI	JKMSxxxM-72-V-TI	JKMSxxxM-72B-TI	JKMSxxxM-72B-V-TI

(xxx =335~410, in increment of 5)

JKMxxxM-72L	JKMxxxM-72L-V	JKMxxxM-72BL	
JKMSxxxM-72L-TI	JKMSxxxM-72L-V-TI	JKMSxxxM-72BL-TI	JKMSxxxM-72BL-V-TI

(xxx =335~410, in increment of 5)

Group 15

JKMxxxM-72H	JKMxxxM-72H-V	JKMxxxM-72HB	
-------------	---------------	--------------	--

JKMSxxxM-72H-TI	JKMSxxxM-72H-V-TI	JKMSxxxM-72HB-TI	JKMSxxxM-72HB-V-TI
-----------------	-------------------	------------------	--------------------

(xxx =335~425,in increment of 5)

JKMxxxM-72HL	JKMxxxM-72HL-V	JKMxxxM-72HBL	
--------------	----------------	---------------	--

(xxx =335~425,in increment of 5)

Group 16

JKMSxxxM-72-V-MX3	JKMSxxxM-72B-V-MX3	JKMSxxxM-72-MX3	JKMSxxxM-72B-MX
JKMSxxxM-72L-V-MX3	JKMSxxxM-72BL-V-MX3	JKMSxxxM-72L-MX3	JKMSxxxM-72BL-MX3

(xxx =335~395,in increment of 5)

Group 17

JKMSxxxM-72H-V-MX3	JKMSxxxM-72HB-V-MX3	JKMSxxxM-72H-MX3	JKMSxxxM-72HB-MX3
JKMSxxxM-72HL-V-MX3	JKMSxxxM-72HBL-V-MX3	JKMSxxxM-72HL-MX3	JKMSxxxM-72HBL-MX3

(xxx =335~395,in increment of 5)

Group 18

JKMxxxM-72H-TV	JKMxxxM-72HL-TV	JKMxxxM-72H-T	JKMxxxM-72HL-T
----------------	-----------------	---------------	----------------

(xxx =375~425,in increment of 5)

JKMxxxN-72H-TV	JKMxxxN-72HL-TV	JKMxxxN-72H-T	JKMxxxN-72HL-T
----------------	-----------------	---------------	----------------

(xxx =375~425,in increment of 5)

Group 19

JKMxxxN-72H-MBB-TV	JKMxxxN-72H-MBB-T		
--------------------	-------------------	--	--

(xxx =390~420,in increment of 5)

Group 20

JKMxxxN-60H-MBB-TV	JKMxxxN-60H-MBB-T		
--------------------	-------------------	--	--

(xxx =330~350,in increment of 5)

Group 21

JKMxxxM-72H-MBB	JKMxxxM-72H-MBB-V	JKMSxxxM-72H-MBB-TI	JKMSxxxM-72H-MBB-V-TI
-----------------	-------------------	---------------------	-----------------------

(xxx =385~415,in increment of 5)

Group 22

JKMxxxM-60H-MBB	JKMxxxM-60H-MBB-V	JKMSxxxM-60H-MBB-TI	JKMSxxxM-60H-MBB-V-TI
-----------------	-------------------	---------------------	-----------------------

(xxx =320~345,in increment of 5)

Group 23

JKSM3-DACA-xxx	JKSM3-DFCA-xxx		
----------------	----------------	--	--

(xxx =400~440,in increment of 5)

Group 24

JKSM3-CACA-xxx	JKSM3-CFCA-xxx		
----------------	----------------	--	--

(xxx =335~370,in increment of 5)

Group 25

JKSM3-DCCA-xxx	JKSM3-DHCA-xxx		
----------------	----------------	--	--

(xxx =400~450,in increment of 5)

Group 26

JKSM3-CCCA-xxx	JKSM3-CHCA-xxx		
----------------	----------------	--	--

(xxx =340~380,in increment of 5)

Group 27

JKSN3-DCCA-xxx	JKSN3-DHCA-xxx		
----------------	----------------	--	--

(xxx =410~440,in increment of 5)

Group 28

JKSN3-CCCA-xxx	JKSN3-CHCA-xxx		
----------------	----------------	--	--

(xxx =345~370,in increment of 5)

Group 29

JKMxxxM-72H-MBB-TV	JKMxxxM-72H-MBB-T		
--------------------	-------------------	--	--

(xxx =385~405,in increment of 5)

Group 30

JKMxxxM-60H-MBB-TV	JKMxxxM-60H-MBB-T		
--------------------	-------------------	--	--

(xxx =320~335,in increment of 5)

Group 31

JKMxxxM-78H-V	JKMxxxM-78H	JKMSxxxM-78H-V-TI	JKMSxxxM-78H-TI
---------------	-------------	-------------------	-----------------

(xxx =405-465,in increment of 5)

Group 32

JKMxxxM-66H-V	JKMxxxM-66H	JKMSxxxM-66H-V-TI	JKMSxxxM-66H-TI
---------------	-------------	-------------------	-----------------

(xxx =340-390,in increment of 5)

Group 33

JKMxxxM-78H-TV	JKMxxxM-78H-T		
----------------	---------------	--	--

(xxx =405-455,in increment of 5)

Group 34

JKMxxxM-66H-TV	JKMxxxM-66H-T		
----------------	---------------	--	--

(xxx =340-385,in increment of 5)

Group 35

JKMxxxN-78H-TV	JKMxxxN-78H-T		
----------------	---------------	--	--

(xxx =410-460,in increment of 5)

Group 36

JKMxxxN-66H-TV	JKMxxxN-66H-T		
----------------	---------------	--	--

(xxx =345-385,in increment of 5)

Group 37

JKMxxxM-78HB-V	JKMxxxM-78HB	JKMSxxxM-78HB-V-TI	JKMSxxxM-78HB-TI
----------------	--------------	--------------------	------------------

(xxx =405-435,in increment of 5)

Group 38

JKMxxxM-66HB-V	JKMxxxM-66HB	JKMSxxxM-66HB-V-TI	JKMSxxxM-66HB-TI
----------------	--------------	--------------------	------------------

(xxx =340-365,in increment of 5)

Group 39

JKMxxxM-7RL3-V	JKMxxxM-7RL3	JKMxxxM-7RL3-V-J	JKMxxxM-7RL3-J
JKMSxxxM-7RL3-V-TI	JKMSxxxM-7RL3-TI		

(xxx = 430~495,in increment of 5)

Group 40

JKMxxxM-6RL3-V	JKMxxxM-6RL3	JKMxxxM-6RL3-V-J	JKMxxxM-6RL3-J
JKMSxxxM-6RL3-V-TI	JKMSxxxM-6RL3-TI		

(xxx = 360~415, in increment of 5)

Group 41

JKMxxxM-7RL3-TV	JKMxxxM-7RL3-T	JKMxxxM-7RL3-TV-J	JKMxxxM-7RL3-T-J
-----------------	----------------	-------------------	------------------

(xxx = 420~475, in increment of 5)

Group 42

JKMxxxM-6RL3-TV	JKMxxxM-6RL3-T	JKMxxxM-6RL3-TV-J	JKMxxxM-6RL3-T-J
-----------------	----------------	-------------------	------------------

(xxx = 355~400, in increment of 5)

Group 43

JKMxxxN-7RL3-TV	JKMxxxN-7RL3-T	JKMxxxN-7RL3-TV-J	JKMxxxN-7RL3-T-J
-----------------	----------------	-------------------	------------------

(xxx = 425~475, in increment of 5)

Group 44

JKMxxxN-6RL3-TV	JKMxxxN-6RL3-T	JKMxxxN-6RL3-TV-J	JKMxxxN-6RL3-T-J
-----------------	----------------	-------------------	------------------

(xxx = 355~400, in increment of 5)

Group 45

JKMxxxN-72H-MBB	JKMxxxN-72H-MBB-V	JKMSxxxN-72H-MBB-TI	JKMSxxxN-72H-MBB-V-TI
-----------------	-------------------	---------------------	-----------------------

(xxx = 385~425, in increment of 5)

Group 46

JKMxxxN-60H-MBB	JKMxxxN-60H-MBB-V	JKMSxxxN-60H-MBB-TI	JKMSxxxN-60H-MBB-V-TI
-----------------	-------------------	---------------------	-----------------------

(xxx = 320~350, in increment of 5)

Group 47

JKMxxxN-7RL3-V	JKMxxxN-7RL3	JKMxxxN-7RL3-V-J	JKMxxxN-7RL3-J
JKMSxxxN-7RL3-V-TI	JKMSxxxN-7RL3-TI		

(xxx = 430~490, in increment of 5)

Group 48

JKMxxxN-6RL3-V	JKMxxxN-6RL3	JKMxxxN-6RL3-V-J	JKMxxxN-6RL3-J
JKMSxxxN-6RL3-V-TI	JKMSxxxN-6RL3-TI		

(xxx = 360~420, in increment of 5)

Group 49

JKMxxxM-7RL3-B	JKMxxxM-7RL3-B-V	JKMSxxxM-7RL3-B-TI	JKMSxxxM-7RL3-B-V-TI
----------------	------------------	--------------------	----------------------

(xxx = 425~480, in increment of 5)

Group 50

JKMxxxM-6RL3-B	JKMxxxM-6RL3-B-V	JKMSxxxM-6RL3-B-TI	JKMSxxxM-6RL3-B-V-TI
----------------	------------------	--------------------	----------------------

(xxx = 360~405, in increment of 5)

Group 51

JKMxxxN-7RL3-B	JKMxxxN-7RL3-B-V	JKMSxxxN-7RL3-B-TI	JKMSxxxN-7RL3-B-V-TI
----------------	------------------	--------------------	----------------------

(xxx = 425~480, in increment of 5)

Group 52

JKMxxxN-6RL3-B	JKMxxxN-6RL3-B-V	JKMSxxxN-6RL3-B-TI	JKMSxxxN-6RL3-B-V-TI
----------------	------------------	--------------------	----------------------

(xxx = 360~405, in increment of 5)

Group 53

JKMxxxM-78H-MBB	JKMxxxM-78H-MBB-V	JKMSxxxM-78H-MBB-TI	JKMSxxxM-78H-MBB-V-TI
JKMSxxxM-78H-MBB-V-MX3			

(xxx = 440~465,in increment of 5)

Group 54

JKMxxxM-66H-MBB	JKMxxxM-66H-MBB-V	JKMSxxxM-66H-MBB-TI	JKMSxxxM-66H-MBB-V-TI
JKMSxxxM-66H-MBB-V-MX3			

(xxx = 370~390,in increment of 5)

Group 55

JKMxxxN-72H-MBB-B	JKMxxxN-72H-MBB-B-V	JKMxxxN-72H-MBB-B-TI	JKMxxxN-72H-MBB-B-V-TI
-------------------	---------------------	----------------------	------------------------

(xxx = 380-400,in increment of 5)

Group 56

JKMxxxN-60H-MBB-B	JKMxxxN-60H-MBB-B-V	JKMxxxN-60H-MBB-B-TI	JKMxxxN-60H-MBB-B-V-TI
-------------------	---------------------	----------------------	------------------------

(xxx = 315-330,in increment of 5)

Group 57

JKMxxxM-6TL3-V	JKMxxxM-6TL3	JKMSxxxM-6TL3-V-TI	JKMSxxxM-6TL3-TI
----------------	--------------	--------------------	------------------

(xxx = 335-380,in increment of 5)

Group 58

JKMxxxN-6TL3-V	JKMxxxN-6TL3	JKMSxxxN-6TL3-V-TI	JKMSxxxN-6TL3-TI
----------------	--------------	--------------------	------------------

(xxx = 335-375,in increment of 5)

Group 59

JKMxxxM-6TL3-TV			
-----------------	--	--	--

(xxx = 325-365,in increment of 5)

Group 60

JKMxxxN-6TL3-TV			
-----------------	--	--	--

(xxx = 325-365,in increment of 5)

Group 61

JKMxxxM-6TL3-B	JKMSxxxM-6TL3-B-TI	JKMxxxM-6TL3-B-V	JKMSxxxM-6TL3-B-V-TI
----------------	--------------------	------------------	----------------------

(xxx = 320-365,in increment of 5)

Group 62

JKMxxxN-6TL3-B	JKMSxxxN-6TL3-B-TI	JKMxxxN-6TL3-B-V	JKMSxxxN-6TL3-B-V-TI
----------------	--------------------	------------------	----------------------

(xxx = 320-365,in increment of 5)

Group 63

JKMxxxM-72HLM-V	JKMxxxM-72HLM	JKMSxxxM-72HLM-V-MX3	
-----------------	---------------	----------------------	--

(xxx = 420-465,in increment of 5)

JKMxxxM-72HLM-B-V	JKMSxxxM-72HLM-B-V-MX3		
-------------------	------------------------	--	--

(xxx = 415-445,in increment of 5)

JKMxxxM-72HLM-TV			
------------------	--	--	--

(xxx = 425-460,in increment of 5)

Group 64

JKMxxxM-60HLM-V	JKMxxxM-60HLM	JKMSxxxM-60HLM-V-MX3	
-----------------	---------------	----------------------	--

(xxx = 350-385,in increment of 5)

JKMxxxM-60HLM-B-V	JKMSxxxM-60HLM-B-V-MX3		
-------------------	------------------------	--	--

(xxx =350-370,in increment of 5)

JKMxxxM-60HLM-TV			
------------------	--	--	--

(xxx = 355-380,in increment of 5)

Group 65

JKMxxxM-54HL4-V	JKMxxxM-54HL4		
-----------------	---------------	--	--

(xxx = 360-415,in increment of 5)

JKMxxxM-54HL4-B-V	JKMxxxM-54HL4-B		
-------------------	-----------------	--	--

(xxx = 380-400,in increment of 5)

JKMxxxM-54HL4-TV			
------------------	--	--	--

(xxx = 360-410,in increment of 5)

Group 66

JKMxxxM-5RL4-V	JKMxxxM-5RL4		
----------------	--------------	--	--

(xxx = 375-405,in increment of 5)

JKMxxxM-5RL4-B-V	JKMxxxM-5RL4-B		
------------------	----------------	--	--

(xxx = 375-395,in increment of 5)

JKMxxxM-5RL4-TV			
-----------------	--	--	--

(xxx = 365-405,in increment of 5)

Group 67

JKMxxxM-60HL4-V	JKMxxxM-60HL4		
-----------------	---------------	--	--

(xxx = 400-460,in increment of 5)

JKMxxxM-60HL4-B-V	JKMxxxM-60HL4-B		
-------------------	-----------------	--	--

(xxx = 425-445,in increment of 5)

JKMxxxM-60HL4-TV			
------------------	--	--	--

(xxx = 400-455,in increment of 5)

Group 68

JKMxxxM-6TL4-V	JKMxxxM-6TL4		
----------------	--------------	--	--

(xxx = 415-450,in increment of 5)

JKMxxxM-6TL4-B-V	JKMxxxM-6TL4-B		
------------------	----------------	--	--

(xxx = 415-440,in increment of 5)

JKMxxxM-6TL4-TV			
-----------------	--	--	--

(xxx = 405-450,in increment of 5)

Group 69

JKMxxxM-66HL4-V	JKMxxxM-66HL4		
-----------------	---------------	--	--

(xxx = 440-505,in increment of 5)

JKMxxxM-66HL4-B-V	JKMxxxM-66HL4-B		
-------------------	-----------------	--	--

(xxx = 465-490,in increment of 5)

JKMxxxM-66HL4-TV			
------------------	--	--	--

(xxx = 440-500,in increment of 5)

Group 70

JKMxxxM-6RL4-V	JKMxxxM-6RL4		
----------------	--------------	--	--

(xxx = 455-495,in increment of 5)

JKMxxxM-6RL4-B-V	JKMxxxM-6RL4-B		
------------------	----------------	--	--

(xxx = 455-485,in increment of 5)

JKMxxxM-6RL4-TV			
-----------------	--	--	--

(xxx = 445-495,in increment of 5)

Group 71

JKMxxxM-72HL4-V	JKMxxxM-72HL4	JKMxxxM-72HL4-V-J	JKMxxxM-72HL4-J
-----------------	---------------	-------------------	-----------------

(xxx = 475-555,in increment of 5)

JKMxxxM-72HL4-B-V	JKMxxxM-72HL4-B		
-------------------	-----------------	--	--

(xxx = 510-535,in increment of 5)

JKMxxxM-72HL4-TV	JKMxxxM-72HL4-TV-J		
------------------	--------------------	--	--

(xxx = 475-550,in increment of 5)

Group 72

JKMxxxM-7TL4-V	JKMxxxM-7TL4	JKMxxxM-7TL4-V-J	JKMxxxM-7TL4-J
----------------	--------------	------------------	----------------

(xxx = 495-570,in increment of 5)

JKMxxxM-7TL4-B-V	JKMxxxM-7TL4-B		
------------------	----------------	--	--

(xxx = 495-530,in increment of 5)

JKMxxxM-7TL4-TV	JKMxxxM-7TL4-TV-J		
-----------------	-------------------	--	--

(xxx = 485-570,in increment of 5)

Group 73

JKMxxxM-7RL4-V	JKMxxxM-7RL4	JKMxxxM-7RL4-V-J	JKMxxxM-7RL4-J
----------------	--------------	------------------	----------------

(xxx = 535-590,in increment of 5)

JKMxxxM-7RL4-B-V	JKMxxxM-7 RL4-B		
------------------	-----------------	--	--

(xxx = 540-575,in increment of 5)

JKMxxxM-7RL4-TV	JKMxxxM-7RL4-TV-J		
-----------------	-------------------	--	--

(xxx = 525-590,in increment of 5)

Group 74

JKMxxxN-54HL4-V	JKMxxxN-54HL4		
-----------------	---------------	--	--

(xxx = 365-425,in increment of 5)

JKMxxxN-54HL4-B-V	JKMxxxN-54HL4-B		
-------------------	-----------------	--	--

(xxx = 380-400,in increment of 5)

JKMxxxN-54HL4-TV			
------------------	--	--	--

(xxx = 360-405,in increment of 5)

Group 75

JKMxxxN-5RL4-V	JKMxxxN-5RL4		
----------------	--------------	--	--

(xxx = 375-405,in increment of 5)

JKMxxxN-5RL4-B-V	JKMxxxN-5RL4-B		
------------------	----------------	--	--

(xxx = 375-395,in increment of 5)

JKMxxxN-5RL4-TV			
-----------------	--	--	--

(xxx = 365-405,in increment of 5)

Group 76

JKMxxxN-60HL4-V	JKMxxxN-60HL4		
-----------------	---------------	--	--

(xxx = 405-475,in increment of 5)

JKMxxxN-60HL4-B-V	JKMxxxN-60HL4-B		
-------------------	-----------------	--	--

(xxx = 425-445,in increment of 5)

JKMxxxN-60HL4-TV			
------------------	--	--	--

(xxx = 400-450,in increment of 5)

Group 77

JKMxxxN-6TL4-V	JKMxxxN-6TL4		
----------------	--------------	--	--

(xxx = 415-450,in increment of 5)

JKMxxxN-6TL4-B-V	JKMxxxN-6TL4-B		
------------------	----------------	--	--

(xxx = 415-440,in increment of 5)

JKMxxxN-6TL4-TV			
-----------------	--	--	--

(xxx = 405-450,in increment of 5)

Group 78

JKMxxxN-66HL4-V	JKMxxxN-66HL4		
-----------------	---------------	--	--

(xxx = 440-505,in increment of 5)

JKMxxxN-66HL4-B-V	JKMxxxN-66HL4-B		
-------------------	-----------------	--	--

(xxx = 465-490,in increment of 5)

JKMxxxN-66HL4-TV			
------------------	--	--	--

(xxx = 440-495,in increment of 5)

Group 79

JKMxxxN-6RL4-V	JKMxxxN-6RL4		
----------------	--------------	--	--

(xxx = 455-495,in increment of 5)

JKMxxxN-6RL4-B-V	JKMxxxN-6RL4-B		
------------------	----------------	--	--

(xxx = 455-485,in increment of 5)

JKMxxxN-6RL4-TV			
-----------------	--	--	--

(xxx = 440-495,in increment of 5)

Group 80

JKMxxxN-72HL4-V	JKMxxxN-72HL4	JKMxxxN-72HL4-V-J	JKMxxxN-72HL4-J
-----------------	---------------	-------------------	-----------------

(xxx = 485-570,in increment of 5)

JKMxxxN-72HL4-B-V	JKMxxxN-72HL4-B		
-------------------	-----------------	--	--

(xxx = 510-535,in increment of 5)

JKMxxxN-72HL4-TV	JKMxxxN-72HL4-TV-J		
------------------	--------------------	--	--

(xxx = 480-545,in increment of 5)

Group 81

JKMxxxN-7TL4-V	JKMxxxN-7TL4	JKMxxxN-7TL4-V-J	JKMxxxN-7TL4-J
----------------	--------------	------------------	----------------

(xxx = 495-570,in increment of 5)

JKMxxxN-7TL4-B-V	JKMxxxN-7TL4-B		
------------------	----------------	--	--

(xxx = 495-530,in increment of 5)

JKMxxxN-7TL4-TV	JKMxxxN-7TL4-TV-J		
-----------------	-------------------	--	--

(xxx = 480-570,in increment of 5)

Group 82

JKMxxxN-7RL4-V	JKMxxxN-7RL4	JKMxxxN-7RL4-V-J	JKMxxxN-7RL4-J
----------------	--------------	------------------	----------------

(xxx = 535-590,in increment of 5)

JKMxxxN-7RL4-B-V	JKMxxxN-7RL4-B		
------------------	----------------	--	--

(xxx = 540-575,in increment of 5)

JKMxxxN-7RL4-TV	JKMxxxN-7RL4-TV-J		
-----------------	-------------------	--	--

(xxx = 520-585,in increment of 5)

Group 83

JKMxxxM-78HL4-V			
-----------------	--	--	--

(xxx = 565-605,in increment of 5)

Group 84

JKMxxxM-78HL4-TV			
------------------	--	--	--

(xxx = 555-595,in increment of 5)

Group 85

JKMxxxN-72HL3-MBB-B			
---------------------	--	--	--

(xxx = 400-445,in increment of 5)

Group 86

JKMxxxN-60HL3-MBB-B			
---------------------	--	--	--

(xxx = 330-370,in increment of 5)

Group 87

JKMxxxN-78HL4-V			
-----------------	--	--	--

(xxx = 590-615,in increment of 5)

Notes:

- ◆ PP: the eagle series module
- ◆ Plus: the eagle+ series module
- ◆ JKMS: the smart module
- ◆ V: module with 1500V
- ◆ H: half-cut series module

- ◆ L: large cell series module
- ◆ T/TV: transparent backsheet series module
- ◆ MX3: module with Z8S Junction Box
- ◆ MBB: nine busbar
- ◆ B: black backsheet
- ◆ L3: 163 large cell series module
- ◆ LM: 166 large cell series module
- ◆ L4: 182 large cell series module
- ◆ TI: module with RSD Junction Box

Jinko Module	Wafer type	Technology	Cell Number	Module Type	Cell	Junction Box
STC condition: JKS	p-type Mono: M	Full cell: 1	60: A	Normal mono-facial: A	158 5BB Mono-facial: A	Normal: A
BSTC condition: JKB	Poly: P	Half cell: 2	72: B	All black mono-facial: B	158 5BB Bi-facial: B	MX: B
	N-type Mono: N	TR: 3	66: C	Transparent backsheet: C	158 9BB Bi-facial: C	MX3: C
		Shingling: 4	78: D	Bifacial dual glass: D	161 9BB Bi-facial: D	EP: D

Appendix 2: Electrical Specifications

Module Type	Maximum Power at STC (Pmax, Wp)	Maximum Power Voltage(Vmp, V)	Maximum Power Current(Imp, A)	Open-circuit Voltage(Voc, V)	Short-circuit Current(Isc, A)	Rated Max. output current (Optimized) [A]:	Rated Max. output voltage (Optimized) [V]:
Group 1 Group 2	260	31.1	8.37	37.9	9.08		
	265	31.4	8.44	38.1	9.19		
	270	31.7	8.52	38.4	9.27		
	275	32	8.61	38.7	9.38		
	280	32.3	8.69	39	9.5		
	285	32.5	8.77	39.3	9.78		
Group 2	290	32.8	8.85	39.6	9.85		
	295	33.1	8.93	39.9	9.93		
	300	33.4	9	40.2	10.01		
	305	33.6	9.09	40.5	10.09		
	310	33.9	9.16	40.8	10.16		
Group 3 Group 4	315	34.1	9.25	41.1	10.24		
	260	31.1	8.37	37.9	9.08	12.0	33.6
	265	31.4	8.44	38.1	9.19	12.0	33.6

	270	31.7	8.52	38.4	9.27	12.0	33.6
	275	32	8.61	38.7	9.38	12.0	33.6
	280	32.3	8.69	39	9.5	12.0	33.6
	285	32.5	8.77	39.3	9.78	12.0	33.6
	290	32.8	8.85	39.6	9.85	12.0	33.6
Group 4	295	33.1	8.93	39.9	9.93	12.0	33.6
	300	33.4	9	40.2	10.01	12.0	33.6
	305	33.6	9.09	40.5	10.09	12.0	33.6
	310	33.9	9.16	40.8	10.16	12.0	33.6
	315	34.1	9.25	41.1	10.24	12.0	33.6
Group 5 Group 6	270	31.4	8.6	38.4	9.29		
	275	31.6	8.71	38.5	9.4		
	280	31.8	8.81	38.6	9.51		
	285	32	8.91	38.7	9.63		
	290	32.2	9.02	39.5	9.76		
	295	32.4	9.11	39.7	9.88		
	300	32.6	9.21	40.1	9.98		
	305	32.8	9.3	40.3	10.07		
	310	33	9.4	40.5	10.15		
	315	33.2	9.49	40.7	10.23		
	320	33.4	9.59	40.9	10.31		
	325	33.6	9.68	41.1	10.5		
	330	33.8	9.77	41.3	10.61		
	335	34	9.86	41.5	10.73		
	340	34.2	9.95	41.7	10.82		
345	34.4	10.03	41.9	10.91			
350	34.6	10.12	42.1	11.00			
Group 7 Group 8	270	31.4	8.6	38.4	9.29	12.0	33.6
	275	31.6	8.71	38.5	9.4	12.0	33.6
	280	31.8	8.81	38.6	9.51	12.0	33.6
	285	32	8.91	38.7	9.63	12.0	33.6
	290	32.2	9.02	39.5	9.76	12.0	33.6
	295	32.4	9.11	39.7	9.88	12.0	33.6
	300	32.6	9.21	40.1	9.98	12.0	33.6
	305	32.8	9.3	40.3	10.07	12.0	33.6
	310	33	9.4	40.5	10.15	12.0	33.6
	315	33.2	9.49	40.7	10.23	12.0	33.6
	320	33.4	9.59	40.9	10.31	12.0	33.6
	325	33.6	9.68	41.1	10.5	12.0	33.6
	330	33.8	9.77	41.3	10.61	12.0	33.6
335	34	9.86	41.5	10.73	12.0	33.6	

	340	34.2	9.95	41.7	10.82	12.0	33.6
Group 9 (P 型)	315	32.7	9.63	39.9	9.99		
	320	32.9	9.73	40.1	10.07		
	325	33.1	9.82	40.3	10.15		
	330	33.24	9.93	40.39	10.25		
	335	33.4	10.03	40.46	10.34		
	340	33.62	10.11	40.6	10.43		
	345	33.76	10.22	40.75	10.53		
	350	33.94	10.31	40.87	10.62		
	355	34.11	10.41	41	10.71		
Group 9 (N 型)	315	33	9.55	40.19	10.12		
	320	33.17	9.65	40.32	10.23		
	325	33.38	9.74	40.43	10.32		
	330	33.51	9.85	40.56	10.43		
	335	33.68	9.95	40.73	10.53		
	340	33.88	10.04	40.84	10.64		
	345	34.07	10.13	40.94	10.73		
	350	34.16	10.25	41.1	10.82		
	355	34.32	10.35	41.2	10.93		
Group 10	320	37.4	8.56	45.3	9.21		
	325	37.6	8.66	45.5	9.28		
	330	37.8	8.74	45.8	9.35		
	335	38	8.82	46.1	9.43		
	340	38.2	8.91	46.5	9.54		
	345	38.4	8.99	46.9	9.63		
	350	38.6	9.07	47.2	9.71		
	355	38.9	9.13	47.5	9.79		
Group 11	330	37.8	8.74	45.8	9.35		
	335	38	8.82	46.1	9.43		
	340	38.2	8.91	46.5	9.54		
	345	38.4	8.99	46.9	9.63		
	350	38.6	9.07	47.2	9.71		
	355	38.9	9.13	47.5	9.79		
	360	39.1	9.21	47.8	9.87		
	365	39.3	9.29	48.1	9.95		
	370	39.5	9.37	48.4	10.02		
	375	39.7	9.45	48.7	10.09		
380	39.9	9.53	49	10.16			
Group 12	320	37.4	8.56	45.3	9.21	12.0	37.2
	325	37.6	8.66	45.5	9.28	12.0	37.2
	330	37.8	8.74	45.8	9.35	12.0	37.2

	335	38	8.82	46.1	9.43	12.0	37.2
	340	38.2	8.91	46.5	9.54	12.0	37.2
	345	38.4	8.99	46.9	9.63	12.0	37.2
	350	38.6	9.07	47.2	9.71	12.0	37.2
	355	38.9	9.13	47.5	9.79	12.0	37.2
Group 13	330	37.8	8.74	45.8	9.35	12.0	37.2
	335	38	8.82	46.1	9.43	12.0	37.2
	340	38.2	8.91	46.5	9.54	12.0	37.2
	345	38.4	8.99	46.9	9.63	12.0	37.2
	350	38.6	9.07	47.2	9.71	12.0	37.2
	355	38.9	9.13	47.5	9.79	12.0	37.2
	360	39.1	9.21	47.8	9.87	12.0	37.2
	365	39.3	9.29	48.1	9.95	12.0	37.2
	370	39.5	9.37	48.4	10.02	12.0	37.2
	375	39.7	9.45	48.7	10.09	12.0	37.2
	380	39.9	9.53	49	10.16	12.0	37.2
Group 14 Group 15	335	38.4	8.72	46.9	9.79		
	340	38.7	8.79	47.1	9.81		
	345	38.9	8.87	47.3	9.85		
	350	39.1	8.94	47.5	9.88		
	355	39.3	9.04	47.8	9.93		
	360	39.5	9.12	48	10.02		
	365	39.7	9.2	48.2	10.09		
	370	39.9	9.28	48.5	10.15		
	375	40.2	9.33	48.7	10.23		
	380	40.5	9.39	48.9	10.3		
	385	40.8	9.44	49.1	10.38		
	390	41.1	9.49	49.3	10.46		
	395	41.4	9.55	49.5	10.54		
	400	41.7	9.6	49.8	10.61		
	405	42	9.65	50.1	10.69		
	410	42.3	9.7	50.3	10.76		
	415	42.6	9.75	50.6	10.82		
420	42.9	9.80	50.9	10.88			
425	43.2	9.85	51.2	10.94			
Group 16 Group 17	335	38.4	8.72	46.9	9.79	12.0	37.2
	340	38.7	8.79	47.1	9.81	12.0	37.2
	345	38.9	8.87	47.3	9.85	12.0	37.2
	350	39.1	8.94	47.5	9.88	12.0	37.2
	355	39.3	9.04	47.8	9.93	12.0	37.2
	360	39.5	9.12	48	10.02	12.0	37.2

	365	39.7	9.2	48.2	10.09	12.0	37.2
	370	39.9	9.28	48.5	10.15	12.0	37.2
	375	40.2	9.33	48.7	10.23	12.0	37.2
	380	40.5	9.39	48.9	10.3	12.0	37.2
	385	40.8	9.44	49.1	10.38	12.0	37.2
	390	41.1	9.49	49.3	10.46	12.0	37.2
	395	41.4	9.55	49.5	10.54	12.0	37.2
Group 18 (P 型)	375	39.25	9.56	47.92	9.92		
	380	39.36	9.66	47.96	10.02		
	385	39.5	9.76	48.1	10.08		
	390	39.62	9.84	48.14	10.17		
	395	39.83	9.92	48.26	10.23		
	400	40.01	10	48.35	10.32		
	405	40.19	10.08	48.45	10.42		
	410	40.38	10.16	48.56	10.51		
	415	40.5	10.25	48.64	10.61		
	420	40.65	10.33	48.74	10.7		
Group 18 (N 型)	375	39.32	9.54	48.1	10.07		
	380	39.43	9.64	48.2	10.17		
	385	39.53	9.74	48.31	10.26		
	390	39.64	9.84	48.4	10.36		
	395	39.74	9.94	48.5	10.45		
	400	39.85	10.04	48.63	10.54		
	405	39.99	10.13	48.7	10.65		
	410	40.09	10.23	48.8	10.75		
	415	40.22	10.32	48.9	10.86		
	420	40.32	10.42	49	10.96		
Group 19	425	40.43	10.51	49.1	11.07		
	390	39.64	9.84	48.4	10.36		
	395	39.74	9.94	48.5	10.45		
	400	39.85	10.04	48.63	10.54		
	405	39.99	10.13	48.7	10.65		
	410	40.09	10.23	48.8	10.75		
	415	40.22	10.32	48.9	10.86		
Group 20	420	40.31	10.42	49	10.96		
	330	33.51	9.85	40.56	10.43		
	335	33.68	9.95	40.73	10.53		
	340	33.88	10.04	40.84	10.64		
	345	34.07	10.13	40.94	10.73		
	350	34.16	10.25	41.1	10.82		
Group 21	385	40.66	9.47	47.9	10.19		

	390	40.76	9.57	48.05	10.24		
	395	40.85	9.67	48.2	10.3		
	400	40.95	9.77	48.35	10.36		
	405	41.04	9.87	48.5	10.42		
	410	41.13	9.97	48.65	10.48		
	415	41.26	10.06	48.8	10.54		
Group 22	320	33.76	9.48	39.87	10.18		
	325	33.89	9.59	40.02	10.24		
	330	34.03	9.7	40.17	10.3		
	335	34.15	9.81	40.32	10.36		
	340	34.28	9.92	40.47	10.42		
	345	34.4	10.03	40.62	10.48		
Group 23	400	42.97	9.31	52	9.99		
	405	43.13	9.39	52.1	10.05		
	410	43.25	9.48	52.2	10.11		
	415	43.42	9.56	52.3	10.17		
	420	43.57	9.64	52.4	10.23		
	425	43.73	9.72	52.5	10.29		
	430	43.88	9.80	52.60	10.35		
	435	44.03	9.88	52.7	10.41		
	440	44.18	9.96	52.80	10.47		
Group 24	335	36.55	9.17	43.9	9.71		
	340	36.65	9.28	44	9.79		
	345	36.75	9.39	44.1	9.87		
	350	36.85	9.5	44.2	9.95		
	355	36.95	9.61	44.30	10.03		
	360	37.04	9.72	44.40	10.11		
	365	37.14	9.83	44.50	10.19		
	370	37.23	9.94	44.60	10.27		
Group 25	400	43.3	9.24	52	9.86		
	405	43.41	9.33	52.1	9.91		
	410	43.53	9.42	52.2	9.96		
	415	43.64	9.51	52.3	10.01		
	420	43.75	9.6	52.4	10.07		
	425	43.86	9.69	52.5	10.16		
	430	43.97	9.78	52.6	10.25		
	435	44.08	9.87	52.7	10.34		
	440	44.18	9.96	52.80	10.38		
	445	44.28	10.05	52.90	10.47		
450	44.38	10.14	53.00	10.56			
Group 26	340	36.65	9.28	44	9.87		

	345	36.75	9.39	44.1	9.93		
	350	36.85	9.5	44.2	9.99		
	355	36.95	9.61	44.30	10.05		
	360	37.04	9.72	44.40	10.11		
	365	37.14	9.83	44.50	10.22		
	370	37.23	9.94	44.60	10.33		
	375	37.32	10.05	44.70	10.44		
	380	37.44	10.15	44.80	10.55		
Group 27	400	43.3	9.24	52	10.05		
	405	43.41	9.33	52.1	10.1		
	410	43.53	9.42	52.2	10.15		
	415	43.64	9.51	52.3	10.2		
	420	43.75	9.6	52.4	10.25		
	425	43.86	9.69	52.5	10.3		
	430	43.97	9.78	52.6	10.35		
	435	44.08	9.87	52.7	10.40		
Group 28	440	44.18	9.96	52.80	10.45		
	340	36.65	9.28	44	10.05		
	345	36.75	9.39	44.1	10.11		
	350	36.85	9.5	44.2	10.18		
	355	36.95	9.61	44.3	10.24		
	360	37.04	9.72	44.4	10.31		
	365	37.14	9.83	44.50	10.37		
	370	37.23	9.94	44.60	10.44		
Group 29	385	40.66	9.47	48.47	10.31		
	390	40.76	9.57	48.57	10.38		
	395	40.85	9.67	48.67	10.45		
	400	40.95	9.77	48.77	10.52		
	405	41.04	9.87	48.87	10.59		
Group 30	320	33.76	9.48	40.31	10.22		
	325	33.89	9.59	40.43	10.29		
	330	34.03	9.7	40.55	10.36		
	335	34.15	9.81	40.67	10.43		
Group 31	405	42.91	9.44	51.07	10.20		
	410	43.03	9.53	51.16	10.27		
	415	43.10	9.63	51.25	10.34		
	420	43.17	9.73	51.34	10.41		
	425	43.23	9.83	51.43	10.48		
	430	43.49	9.89	51.52	10.57		
	435	43.55	9.99	51.61	10.67		
	440	43.65	10.08	51.70	10.77		

	445	43.72	10.18	52.04	10.84		
	450	43.82	10.27	52.13	10.92		
	455	43.92	10.36	52.22	11.00		
	460	44.02	10.45	52.32	11.08		
	465	44.12	10.54	52.43	11.16		
Group 32	340	36.56	9.30	43.24	10.20		
	345	36.67	9.41	43.32	10.27		
	350	36.77	9.52	43.41	10.34		
	355	36.87	9.63	43.49	10.41		
	360	36.97	9.74	43.58	10.48		
	365	37.06	9.85	43.66	10.55		
	370	37.15	9.96	43.75	10.62		
	375	37.24	10.07	44.02	10.69		
	380	37.33	10.18	44.09	10.77		
	385	37.42	10.29	44.17	10.83		
Group 33	405	42.90	9.44	51.55	10.15		
	410	43.03	9.53	51.58	10.20		
	415	43.20	9.61	51.61	10.28		
	420	43.35	9.69	51.64	10.36		
	425	43.50	9.77	51.67	10.44		
	430	43.66	9.85	51.70	10.52		
	435	43.85	9.92	51.80	10.60		
	440	43.92	10.02	51.90	10.68		
	445	43.98	10.12	52.00	10.78		
	450	44.04	10.22	52.10	10.87		
Group 34	340	36.72	9.26	43.56	10.12		
	345	36.82	9.37	43.64	10.20		
	350	36.92	9.48	43.67	10.28		
	355	37.02	9.59	43.71	10.36		
	360	37.12	9.70	43.75	10.44		
	365	37.21	9.81	43.83	10.52		
	370	37.30	9.92	43.92	10.60		
	375	37.39	10.03	44.00	10.68		
	380	37.48	10.14	44.11	10.76		
	385	37.57	10.25	44.17	10.84		
Group 35	410	42.71	9.60	51.58	10.42		
	415	42.79	9.70	51.61	10.51		
	420	42.86	9.80	51.64	10.60		

	425	42.93	9.90	51.67	10.69		
	430	43.00	10.00	51.70	10.78		
	435	43.07	10.10	51.80	10.87		
	440	43.14	10.20	51.90	10.96		
	445	43.21	10.30	52.00	11.05		
	450	43.27	10.40	52.10	11.14		
	455	43.34	10.50	52.20	11.23		
	460	43.40	10.60	52.30	11.32		
Group 36	345	36.82	9.37	43.64	10.51		
	350	36.93	9.48	43.67	10.60		
	355	37.02	9.59	43.70	10.69		
	360	37.12	9.70	43.72	10.78		
	365	37.21	9.81	43.75	10.87		
	370	37.30	9.92	43.83	10.96		
	375	37.39	10.03	43.92	11.05		
	380	37.48	10.14	44.01	11.14		
385	37.57	10.25	44.11	11.23			
Group 37	405	43.23	9.37	51.55	10.01		
	410	43.3	9.47	51.58	10.11		
	415	43.37	9.57	51.61	10.21		
	420	43.44	9.67	51.64	10.31		
	425	43.51	9.77	51.67	10.41		
	430	43.57	9.87	51.7	10.51		
	435	43.64	9.97	51.73	10.61		
Group 38	340	36.56	9.3	43.6	10.01		
	345	36.63	9.42	43.63	10.13		
	350	36.69	9.54	43.65	10.25		
	355	36.76	9.66	43.68	10.37		
	360	36.81	9.78	43.7	10.49		
	365	36.87	9.9	43.73	10.61		
Group 39	430	42.41	10.14	51.10	10.96		
	435	42.52	10.23	51.20	11.05		
	440	42.64	10.32	51.30	11.14		
	445	42.75	10.41	51.40	11.23		
	450	42.86	10.50	51.50	11.32		
	455	42.97	10.59	51.60	11.41		
	460	43.08	10.68	51.70	11.50		
	465	43.18	10.77	51.92	11.59		
	470	43.28	10.86	52.14	11.68		
475	43.38	10.95	52.24	11.77			

	480	43.48	11.04	52.34	11.86		
	485	43.58	11.13	52.44	11.95		
	490	43.68	11.22	52.54	12.04		
	495	43.77	11.31	52.63	12.13		
Group 40	360	35.90	10.03	43.24	10.85		
	365	36.00	10.14	43.32	10.94		
	370	36.10	10.25	43.41	11.03		
	375	36.20	10.36	43.49	11.12		
	380	36.30	10.47	43.58	11.21		
	385	36.39	10.58	43.66	11.30		
	390	36.49	10.69	43.75	11.39		
	395	36.58	10.80	43.93	11.48		
	400	36.67	10.91	44.12	11.57		
	405	36.76	11.02	44.2	11.68		
	410	36.84	11.13	44.29	11.79		
	415	36.92	11.24	44.37	11.9		
Group 41	420	42.77	9.82	51.10	10.63		
	425	42.85	9.92	51.20	10.72		
	430	42.92	10.02	51.30	10.81		
	435	42.99	10.12	51.40	10.90		
	440	43.06	10.22	51.50	10.99		
	445	43.13	10.32	51.60	11.08		
	450	43.19	10.42	51.70	11.17		
	455	43.25	10.52	51.80	11.26		
	460	43.32	10.62	51.90	11.35		
	465	43.38	10.72	52.00	11.44		
	470	43.44	10.82	52.10	11.53		
475	43.50	10.92	52.16	11.63			
Group 42	355	36.49	9.73	43.32	10.45		
	360	36.55	9.85	43.41	10.55		
	365	36.61	9.97	43.49	10.65		
	370	36.67	10.09	43.58	10.75		
	375	36.73	10.21	43.66	10.85		
	380	36.79	10.33	43.75	10.95		
	385	36.85	10.45	43.83	11.05		
	390	36.90	10.57	43.92	11.15		
	395	36.95	10.69	44.00	11.25		
400	37.01	10.81	44.05	11.37			
Group 43	425	43.15	9.85	51.20	10.62		
	430	43.22	9.95	51.30	10.71		
	435	43.29	10.05	51.40	10.80		

	440	43.36	10.15	51.50	10.89		
	445	43.42	10.25	51.60	10.98		
	450	43.48	10.35	51.70	11.07		
	455	43.54	10.45	51.80	11.16		
	460	43.60	10.55	51.90	11.25		
	465	43.66	10.65	52.00	11.34		
	470	43.72	10.75	52.10	11.43		
	475	43.78	10.85	52.16	11.53		
Group 44	355	36.38	9.76	43.32	10.54		
	360	36.44	9.88	43.41	10.68		
	365	36.50	10.00	43.49	10.80		
	370	36.56	10.12	43.58	10.92		
	375	36.62	10.24	43.66	11.04		
	380	36.68	10.36	43.75	11.16		
	385	36.74	10.48	43.83	11.28		
	390	36.80	10.60	43.92	11.40		
	395	36.85	10.72	44.00	11.52		
400	36.90	10.84	44.08	11.64			
Group 45	385	39.65	9.71	47.90	10.42		
	390	39.76	9.81	48.05	10.48		
	395	39.86	9.91	48.20	10.54		
	400	39.96	10.01	48.35	10.60		
	405	40.06	10.11	48.50	10.66		
	410	40.16	10.21	48.65	10.72		
	415	40.26	10.31	48.80	10.78		
	420	40.35	10.41	48.95	10.84		
	425	40.44	10.51	49.10	10.90		
Group 46	320	33.03	9.69	39.95	10.40		
	325	33.13	9.81	40.08	10.46		
	330	33.24	9.93	40.21	10.52		
	335	33.37	10.04	40.34	10.58		
	340	33.47	10.16	40.47	10.64		
	345	33.60	10.27	40.60	10.70		
	350	33.72	10.38	40.73	10.76		
Group 47	430	42.45	10.13	51.10	10.96		
	435	42.57	10.22	51.20	11.05		
	440	42.68	10.31	51.30	11.14		
	445	42.79	10.40	51.40	11.23		
	450	42.90	10.49	51.50	11.32		
	455	43.01	10.58	51.60	11.41		
	460	43.12	10.67	51.70	11.50		

	465	43.22	10.76	51.90	11.59		
	470	43.32	10.85	52.10	11.68		
	475	43.42	10.94	52.20	11.77		
	480	44.87	10.7	53.92	11.4		
	485	45.08	10.76	54.14	11.46		
	490	45.29	10.82	54.36	11.51		
Group 48	360	35.72	10.08	43.24	10.93		
	365	35.79	10.20	43.32	11.03		
	370	35.86	10.32	43.41	11.13		
	375	35.92	10.44	43.49	11.23		
	380	35.99	10.56	43.58	11.33		
	385	36.05	10.68	43.66	11.43		
	390	36.11	10.80	43.75	11.53		
	395	36.18	10.92	43.92	11.63		
	400	36.24	11.04	44.08	11.73		
	405	36.33	11.15	45.44	11.84		
	410	36.42	11.26	45.62	11.95		
	415	36.79	11.28	46.77	12.06		
	420	36.94	11.37	47.00	12.17		
Group 49	425	43.06	9.87	51.67	10.69		
	430	43.18	9.96	51.77	10.78		
	435	43.29	10.05	51.87	10.87		
	440	43.40	10.14	51.97	10.96		
	445	43.50	10.23	52.07	11.05		
	450	43.61	10.32	52.17	11.14		
	455	43.72	10.41	52.48	11.23		
	460	43.81	10.50	52.81	11.32		
	465	43.91	10.59	53.14	11.41		
	470	44.01	10.68	53.47	11.50		
	475	44.11	10.77	53.80	11.59		
480	44.20	10.86	53.90	11.68			
Group 50	360	36.51	9.86	43.82	10.68		
	365	36.61	9.97	43.92	10.79		
	370	36.71	10.08	44.02	10.90		
	375	36.80	10.19	44.12	11.01		
	380	36.90	10.30	44.22	11.12		
	385	37.02	10.40	44.34	11.22		
	390	37.15	10.50	44.47	11.32		
	395	37.27	10.60	44.59	11.42		
	400	37.39	10.70	44.71	11.52		
405	37.50	10.80	44.82	11.62			

Group 51	425	43.19	9.84	51.77	10.54		
	430	43.31	9.93	51.87	10.63		
	435	43.42	10.02	51.97	10.72		
	440	43.53	10.11	52.07	10.81		
	445	43.63	10.20	52.17	10.90		
	450	43.74	10.29	52.27	10.99		
	455	43.84	10.38	52.58	11.08		
	460	43.94	10.47	52.87	11.17		
	465	44.04	10.56	53.16	11.26		
	470	44.14	10.65	53.45	11.35		
	475	44.24	10.74	53.74	11.44		
	480	44.33	10.83	53.84	11.53		
Group 52	360	36.66	9.82	43.90	10.52		
	365	36.76	9.93	43.99	10.63		
	370	36.86	10.04	44.09	10.74		
	375	36.95	10.15	44.18	10.85		
	380	37.04	10.26	44.28	10.96		
	385	37.13	10.37	44.37	11.07		
	390	37.25	10.47	44.49	11.17		
	395	37.37	10.57	44.61	11.27		
	400	37.49	10.67	44.72	11.37		
	405	37.61	10.77	44.84	11.47		
Group 53	440	43.65	10.08	51.70	10.77		
	445	43.72	10.18	52.04	10.84		
	450	43.82	10.27	52.13	10.92		
	455	43.92	10.36	52.22	11.00		
	460	44.02	10.45	52.32	11.08		
	465	44.12	10.54	52.43	11.16		
Group 54	370	36.78	10.06	44.09	10.7		
	375	36.88	10.17	44.19	10.81		
	380	36.97	10.28	44.29	10.92		
	385	37.42	10.29	44.17	10.83		
	390	37.54	10.39	44.29	10.93		
Group 55	380	39.55	9.61	47.75	10.36		
	385	39.65	9.71	47.9	10.42		
	390	39.76	9.81	48.05	10.48		
	395	39.86	9.91	48.2	10.54		
	400	39.96	10.01	48.35	10.6		
Group 56	315	32.92	9.57	39.82	10.34		
	320	33.03	9.69	39.95	10.4		
	325	33.13	9.81	40.08	10.46		

	330	33.24	9.93	40.21	10.52		
Group 57	335	32.75	10.23	39.41	11.04		
	340	32.85	10.35	39.51	11.16		
	345	32.95	10.47	39.61	11.28		
	350	33.05	10.59	39.71	11.40		
	355	33.15	10.71	39.81	11.52		
	360	33.24	10.83	39.91	11.64		
	365	33.34	10.95	40.01	11.76		
	370	33.43	11.07	40.11	11.88		
	375	33.61	11.16	40.29	11.97		
	380	33.78	11.25	40.46	12.06		
Group 58	335	32.75	10.23	39.41	11.04		
	340	32.85	10.35	39.51	11.16		
	345	32.95	10.47	39.61	11.28		
	350	33.05	10.59	39.71	11.40		
	355	33.15	10.71	39.81	11.52		
	360	33.24	10.83	39.91	11.64		
	365	33.34	10.95	40.01	11.76		
	370	370	34.49	10.73	41.46		
	375	375	34.63	10.83	41.6		
Group 59	325	32.54	9.99	39.21	10.68		
	330	32.64	10.11	39.31	10.80		
	335	32.75	10.23	39.41	10.92		
	340	32.85	10.35	39.51	11.04		
	345	32.95	10.47	39.61	11.16		
	350	33.05	10.59	39.71	11.28		
	355	33.15	10.71	39.81	11.40		
	360	33.24	10.83	39.91	11.52		
	365	33.34	10.95	40.01	11.64		
Group 60	325	33.00	9.85	39.21	10.59		
	330	33.10	9.97	39.31	10.71		
	335	33.20	10.09	39.41	10.83		
	340	33.30	10.21	39.51	10.95		
	345	33.40	10.33	39.61	11.07		
	350	33.50	10.45	39.71	11.19		
	355	33.59	10.57	39.80	11.31		
	360	33.68	10.69	39.89	11.43		
	365	33.77	10.81	39.98	11.55		
Group 61	320	32.99	9.70	39.60	10.41		
	325	33.10	9.82	39.70	10.53		
	330	33.20	9.94	39.80	10.65		

	335	33.30	10.06	39.90	10.77		
	340	33.40	10.18	40.00	10.89		
	345	33.50	10.30	40.10	11.01		
	350	33.66	10.40	40.26	11.11		
	355	33.81	10.50	40.41	11.21		
	360	33.97	10.60	40.57	11.31		
	365	34.12	10.70	40.72	11.41		
Group 62	320	33.10	9.67	39.67	10.38		
	325	33.20	9.79	39.77	10.50		
	330	33.30	9.91	39.87	10.62		
	335	33.40	10.03	39.97	10.74		
	340	33.50	10.15	40.07	10.86		
	345	33.60	10.27	40.17	10.98		
	350	33.75	10.37	40.32	11.08		
	355	33.91	10.47	40.48	11.18		
	360	34.06	10.57	40.63	11.28		
	365	34.21	10.67	40.78	11.38		
Group 63	420	40.17	10.46	48.07	11.11		
	425	40.37	10.53	48.27	11.18		
	430	40.57	10.60	48.47	11.25		
	435	40.77	10.67	48.67	11.32		
	440	40.97	10.74	48.87	11.39		
	445	41.17	10.81	49.07	11.46		
	450	41.37	10.88	49.27	11.53		
	455	41.56	10.95	49.46	11.60		
	460	41.75	11.02	49.65	11.67		
	465	41.94	11.09	49.84	11.74		
JKMxxx M- 72HLM-V	415Wp	41.13	10.09	49.32	10.79		
	420	41.3	10.17	49.49	10.87		
	425	41.47	10.25	49.66	10.95		
	430	41.63	10.33	49.82	11.03		
	435	41.79	10.41	49.98	11.11		
	440	41.95	10.49	50.14	11.19		
	445	42.1	10.57	50.29	11.27		
JKMxxx M- 72HLM- B-V	425	40.4	10.52	48.56	11.21		
	430	40.61	10.59	48.76	11.28		
	435	40.81	10.66	48.96	11.35		
	440	41.01	10.73	49.16	11.42		
	445	41.21	10.8	49.36	11.49		
	450	41.4	10.87	49.56	11.56		
	455	41.59	10.94	49.76	11.63		
JKMxxx M- 72HLM- TV	425	40.4	10.52	48.56	11.21		
	430	40.61	10.59	48.76	11.28		
	435	40.81	10.66	48.96	11.35		
	440	41.01	10.73	49.16	11.42		
	445	41.21	10.8	49.36	11.49		
	450	41.4	10.87	49.56	11.56		
	455	41.59	10.94	49.76	11.63		

	460	41.78	11.01	49.96	11.7		
Group 64	350	33.62	10.41	40.20	11.14		
	355	33.81	10.50	40.39	11.23		
	360	34.00	10.59	40.58	11.32		
	365	34.18	10.68	40.76	11.41		
	370	34.36	10.77	40.94	11.50		
	375	34.53	10.86	41.12	11.59		
	380	34.74	10.94	41.3	11.68		
	385	34.91	11.03	41.48	11.77		
JKMxxx M- 60HLM-V	350	34.42	10.17	41.24	10.87		
	355	34.6	10.26	41.42	10.96		
	360	34.79	10.35	41.61	11.05		
	365	34.96	10.44	41.78	11.14		
	370	35.14	10.53	41.96	11.23		
JKMxxx M- 60HLM- B-V	355	33.85	10.49	40.65	11.18		
	360	34.03	10.58	40.84	11.27		
	365	34.24	10.66	41.03	11.35		
	370	34.42	10.75	41.22	11.44		
	375	34.6	10.84	41.41	11.53		
JKMxxx M- 60HLM- TV	380	34.77	10.93	41.6	11.62		
	360	29.54	12.19	36.34	13.22		
	365	29.65	12.31	36.42	13.29		
	370	29.77	12.43	36.50	13.36		
	375	29.88	12.55	36.58	13.43		
Group 65	380	30.00	12.67	36.66	13.50		
	385	30.11	12.79	36.74	13.57		
	390	30.21	12.91	36.82	13.64		
	395	30.32	13.03	36.90	13.71		
	400	30.42	13.15	36.98	13.78		
	405	30.52	13.27	37.06	13.85		
	410	30.62	13.39	37.14	13.92		
	415	30.79	13.48	37.31	14.01		
JKMxxxM -54HL4- B-V	380	30.48	12.47	36.58	13.23		
	385	30.68	12.55	36.78	13.31		
	390	30.88	12.63	36.98	13.39		
	395	31.08	12.71	37.18	13.47		
JKMxxx M-54HL4- TV	400	31.28	12.79	37.38	13.55		
	360	29.73	12.11	36.42	13.19		
	365	29.85	12.23	36.5	13.26		
	370	29.96	12.35	36.58	13.33		
	375	30.08	12.47	36.66	13.4		

	380	30.19	12.59	36.74	13.47		
	385	30.29	12.71	36.82	13.54		
	390	30.4	12.83	36.9	13.61		
	395	30.51	12.95	36.98	13.68		
	400	30.61	13.07	37.06	13.75		
	405	30.76	13.17	37.21	13.84		
	410	30.9	13.27	37.35	13.93		
Group 66	375	29.88	12.55	36.58	13.43		
	380	30.00	12.67	36.66	13.50		
	385	30.11	12.79	36.74	13.57		
	390	30.21	12.91	36.82	13.64		
	395	30.32	13.03	36.90	13.71		
	400	30.42	13.15	36.98	13.78		
JKMxxx M-5RL4- V	405	30.52	13.27	37.06	13.85		
	375	30.27	12.39	36.37	13.15		
	380	30.48	12.47	36.58	13.23		
	385	30.68	12.55	36.78	13.31		
	390	30.88	12.63	36.98	13.39		
	395	31.08	12.71	37.18	13.47		
JKMxxxM -5RL4-B- V	365	29.85	12.23	36.5	13.26		
	370	29.96	12.35	36.58	13.33		
	375	30.08	12.47	36.66	13.4		
	380	30.19	12.59	36.74	13.47		
JKMxxx M-5RL4- TV	385	30.29	12.71	36.82	13.54		
	390	30.4	12.83	36.9	13.61		
	395	30.51	12.95	36.98	13.68		
	400	30.61	13.07	37.06	13.75		
	405	30.76	13.17	37.21	13.84		
	400	32.87	12.17	40.38	13.25		
	405	32.98	12.28	40.46	13.31		
	410	33.09	12.39	40.54	13.37		
Group 67	415	33.20	12.50	40.62	13.43		
	420	33.31	12.61	40.70	13.49		
	425	33.42	12.72	40.78	13.55		
	430	33.52	12.83	40.86	13.61		
	435	33.62	12.94	40.94	13.67		
	440	33.72	13.05	41.02	13.73		
JKMxxx M-60HL4- V	445	33.82	13.16	41.10	13.79		
	450	33.91	13.27	41.18	13.85		
	455	34.06	13.36	41.33	13.93		
	460	34.2	13.45	41.48	14.01		

JKMxxxM -60HL4- B-V	425	34.06	12.48	40.83	13.24		
	430	34.24	12.56	41.01	13.32		
	435	34.42	12.64	41.19	13.4		
	440	34.59	12.72	41.36	13.48		
	445	34.77	12.8	41.54	13.56		
JKMxxxM -60HL4- TV	400	33.06	12.1	40.37	13.07		
	405	33.17	12.21	40.46	13.15		
	410	33.28	12.32	40.55	13.23		
	415	33.39	12.43	40.64	13.31		
	420	33.5	12.54	40.73	13.39		
	425	33.6	12.65	40.82	13.47		
	430	33.7	12.76	40.91	13.55		
	435	33.8	12.87	41	13.63		
	440	33.9	12.98	41.09	13.71		
	445	34	13.09	41.18	13.79		
	450	34.15	13.18	41.33	13.87		
Group 68	415	33.20	12.50	40.62	13.43		
	420	33.31	12.61	40.70	13.49		
	425	33.42	12.72	40.78	13.55		
	430	33.52	12.83	40.86	13.61		
	435	33.62	12.94	40.94	13.67		
	440	33.72	13.05	41.02	13.73		
	445	33.82	13.16	41.1	13.79		
JKMxxx M-6TL4-V	450	33.91	13.27	41.18	13.85		
	415	33.69	12.32	40.46	13.08		
	420	33.87	12.4	40.64	13.16		
	425	34.06	12.48	40.83	13.24		
	430	34.24	12.56	41.01	13.32		
	435	34.42	12.64	41.19	13.4		
JKMxxxM -6TL4-B- V	440	34.59	12.72	41.36	13.48		
	405	33.17	12.21	40.46	13.15		
	410	33.28	12.32	40.55	13.23		
	415	33.39	12.43	40.64	13.31		
	420	33.5	12.54	40.73	13.39		
	425	33.6	12.65	40.82	13.47		
	430	33.7	12.76	40.91	13.55		
	435	33.8	12.87	41	13.63		
	440	33.9	12.98	41.09	13.71		
JKMxxxM -6TL4-TV	445	34	13.09	41.18	13.79		
	450	34.15	13.18	41.33	13.87		

Group 69 JKMxxxM -66HL4-V	440	36.49	12.06	44.42	13.08		
	445	36.57	12.17	44.50	13.15		
	450	36.65	12.28	44.58	13.22		
	455	36.73	12.39	44.66	13.29		
	460	36.80	12.50	44.74	13.36		
	465	36.88	12.61	44.82	13.43		
	470	36.95	12.72	44.90	13.50		
	475	37.03	12.83	44.98	13.57		
	480	37.10	12.94	45.06	13.64		
	485	37.17	13.05	45.14	13.71		
	490	37.24	13.16	45.22	13.78		
	495	37.31	13.27	45.3	13.85		
	500	37.46	13.35	45.45	13.93		
	505	37.61	13.43	45.6	14.01		
JKMxxx M-66HL4- B-V	465	37.29	12.47	44.74	13.23		
	470	37.48	12.54	44.93	13.3		
	475	37.67	12.61	45.12	13.37		
	480	37.86	12.68	45.31	13.44		
	485	38.04	12.75	45.49	13.51		
	490	38.55	12.82	45.67	13.58		
JKMxxxM -66HL4- TV	440	36.37	12.1	44.4	13.09		
	445	36.48	12.2	44.49	13.16		
	450	36.59	12.3	44.58	13.23		
	455	36.7	12.4	44.67	13.3		
	460	36.8	12.5	44.76	13.37		
	465	36.91	12.6	44.85	13.44		
	470	37.01	12.7	44.94	13.51		
	475	37.11	12.8	45.03	13.58		
	480	37.21	12.9	45.12	13.65		
	485	37.31	13	45.21	13.72		
	490	37.41	13.1	45.3	13.79		
	495	37.56	13.18	45.45	13.87		
500	37.71	13.26	45.6	13.95			
Group 70 JKMxxxM -6RL4-V	455	36.73	12.39	44.66	13.29		
	460	36.80	12.50	44.74	13.36		
	465	36.88	12.61	44.82	13.43		
	470	36.95	12.72	44.90	13.50		
	475	37.03	12.83	44.98	13.57		
	480	37.10	12.94	45.06	13.64		
	485	37.17	13.05	45.14	13.71		
	490	37.24	13.16	45.22	13.78		

	495	37.31	13.27	45.3	13.85		
JKMxxx M-6RL4- B-V	455	36.91	12.33	44.36	13.09		
	460	37.1	12.4	44.55	13.16		
	465	37.29	12.47	44.74	13.23		
	470	37.48	12.54	44.93	13.3		
	475	37.67	12.61	45.12	13.37		
	480	37.86	12.68	45.31	13.44		
	485	38.04	12.75	45.49	13.51		
JKMxxxM -6RL4-TV	445	36.48	12.2	44.49	13.16		
	450	36.59	12.3	44.58	13.23		
	455	36.7	12.4	44.67	13.3		
	460	36.8	12.5	44.76	13.37		
	465	36.91	12.6	44.85	13.44		
	470	37.01	12.7	44.94	13.51		
	475	37.11	12.8	45.03	13.58		
	480	37.21	12.9	45.12	13.65		
	485	37.31	13	45.21	13.72		
	490	37.41	13.1	45.3	13.79		
Group 71 JKMxxx M-72HL4- V	495	37.56	13.18	45.45	13.87		
	475	39.69	11.97	48.38	12.94		
	480	39.77	12.07	48.46	13.01		
	485	39.86	12.17	48.54	13.08		
	490	39.94	12.27	48.62	13.15		
	495	40.02	12.37	48.70	13.22		
	500	40.10	12.47	48.78	13.29		
	505	40.18	12.57	48.86	13.36		
	510	40.26	12.67	48.94	13.43		
	515	40.33	12.77	49.02	13.50		
	520	40.41	12.87	49.10	13.57		
	525	40.48	12.97	49.18	13.64		
	530	40.56	13.07	49.26	13.71		
	535	40.63	13.17	49.34	13.79		
	540	40.70	13.27	49.42	13.85		
	545	40.8	13.36	49.52	13.94		
	550	40.9	13.45	49.62	14.03		
555	40.99	13.54	49.72	14.12			
JKMxxxM -72HL4- B-V	510	41.23	12.37	49	13.21		
	515	41.4	12.44	49.17	13.28		
	520	41.57	12.51	49.34	13.35		
	525	41.74	12.58	49.51	13.42		
	530	41.9	12.65	49.67	13.49		

	535	42.06	12.72	49.83	13.56		
JKMxxxM -72HL4- TV	475	39.49	12.03	48.5	12.87		
	480	39.61	12.12	48.58	12.94		
	485	39.72	12.21	48.66	13.02		
	490	39.84	12.3	48.74	13.1		
	495	39.96	12.39	48.82	13.18		
	500	40.07	12.48	48.9	13.25		
	505	40.18	12.57	48.98	13.32		
	510	40.29	12.66	49.05	13.4		
	515	40.4	12.75	49.12	13.47		
	520	40.5	12.84	49.2	13.54		
	525	40.61	12.93	49.27	13.64		
	530	40.71	13.02	49.35	13.71		
	535	40.81	13.11	49.42	13.79		
	540	40.91	13.2	49.49	13.87		
	545	41.07	13.27	49.65	13.94		
	550	41.23	13.34	49.81	14.01		
Group 72 JKMxxxM -7TL4-V	495	40.02	12.37	48.70	13.22		
	500	40.10	12.47	48.78	13.29		
	505	40.18	12.57	48.86	13.36		
	510	40.26	12.67	48.94	13.43		
	515	40.33	12.77	49.02	13.50		
	520	40.41	12.87	49.10	13.57		
	525	40.48	12.97	49.18	13.64		
	530	40.56	13.07	49.26	13.71		
	535	40.63	13.17	49.34	13.79		
	540	40.7	13.27	49.42	13.85		
JKMxxx M-7TL4- B-V	495	40.71	12.16	48.48	13		
	500	40.89	12.23	48.66	13.07		
	505	41.06	12.3	48.83	13.14		
	510	41.23	12.37	49	13.21		
	515	41.4	12.44	49.17	13.28		
	520	41.57	12.51	49.34	13.35		
	525	41.74	12.58	49.51	13.42		
	530	41.9	12.65	49.67	13.49		
JKMxxxM -7TL4-TV	485	39.72	12.21	48.66	13.02		
	490	39.84	12.3	48.74	13.1		
	495	39.96	12.39	48.82	13.18		
	500	40.07	12.48	48.9	13.25		
	505	40.18	12.57	48.98	13.32		
	510	40.29	12.66	49.05	13.4		

	515	40.4	12.75	49.12	13.47		
	520	40.5	12.84	49.2	13.54		
	525	40.61	12.93	49.27	13.64		
	530	40.71	13.02	49.35	13.71		
	535	40.81	13.11	49.42	13.79		
	540	40.91	13.2	49.49	13.87		
Group 73 JKMxxxM -7RL4-V	535	43.46	12.31	53.04	12.92		
	540	43.59	12.39	53.14	13.00		
	545	43.71	12.47	53.24	13.08		
	550	43.83	12.55	53.34	13.17		
	555	43.95	12.63	53.44	13.26		
	560	44.06	12.71	53.54	13.35		
	565	44.18	12.79	53.64	13.44		
	570	44.29	12.87	53.74	13.52		
	575	44.40	12.95	53.84	13.61		
	580	44.52	13.03	53.94	13.68		
	585	44.63	13.11	54.04	13.75		
	590	44.73	13.19	54.14	13.81		
JKMxxx M-7RL4- B-V	540	44.38	12.17	52.8	13.01		
	545	44.53	12.24	52.95	13.08		
	550	44.68	12.31	53.1	13.15		
	555	44.83	12.38	53.25	13.22		
	560	44.98	12.45	53.4	13.29		
	565	45.13	12.52	53.55	13.36		
	570	45.28	12.59	53.7	13.43		
	575	45.42	12.66	53.84	13.5		
JKMxxxM -7RL4-TV	525	43.11	12.18	52.85	12.92		
	530	43.24	12.26	52.93	12.99		
	535	43.36	12.34	53.02	13.06		
	540	43.48	12.42	53.1	13.13		
	545	43.6	12.5	53.19	13.2		
	550	43.72	12.58	53.27	13.27		
	555	43.84	12.66	53.36	13.34		
	560	43.96	12.74	53.44	13.41		
	565	44.08	12.82	53.53	13.48		
	570	44.19	12.9	53.61	13.55		
	575	44.3	12.98	53.7	13.62		
	580	44.41	13.06	53.81	13.7		
	585	44.52	13.14	53.92	13.78		
590	44.63	13.22	54.03	13.86			
Group 74	365	29.44	12.4	36.04	13.15		

JKMxxxN -54HL4-V	370	29.63	12.49	36.23	13.24		
	375	29.81	12.58	36.41	13.33		
	380	30	12.67	36.6	13.42		
	385	30.18	12.76	36.78	13.51		
	390	30.38	12.84	36.98	13.59		
	395	30.55	12.93	37.15	13.67		
	400	30.75	13.01	37.35	13.75		
	405	30.94	13.09	37.54	13.83		
	410	31.13	13.17	37.73	13.91		
	415	31.32	13.25	37.92	13.99		
	420	31.51	13.33	38.11	14.07		
	425	31.70	13.41	38.30	14.15		
JKMxxxN -54HL4- B-V	380	30.48	12.47	36.58	13.23		
	385	30.68	12.55	36.78	13.31		
	390	30.88	12.63	36.98	13.39		
	395	31.08	12.71	37.18	13.47		
	400	31.28	12.79	37.38	13.55		
JKMxxxN -54HL4- TV	360	29.39	12.25	35.87	13.02		
	365	29.58	12.34	36.06	13.11		
	370	29.77	12.43	36.25	13.2		
	375	29.96	12.52	36.44	13.29		
	380	30.14	12.61	36.62	13.38		
	385	30.32	12.7	36.8	13.47		
	390	30.52	12.78	37	13.55		
	395	30.72	12.86	37.2	13.63		
	400	30.92	12.94	37.4	13.71		
Group 75 JKMxxxN -5RL4-V	405	31.11	13.02	37.59	13.79		
	375	29.81	12.58	36.41	13.33		
	380	30	12.67	36.6	13.42		
	385	30.18	12.76	36.78	13.51		
	390	30.38	12.84	36.98	13.59		
	395	30.55	12.93	37.15	13.67		
	400	30.75	13.01	37.35	13.75		
	405	30.94	13.09	37.54	13.83		
	375	29.81	12.58	36.41	13.33		
	380	30	12.67	36.6	13.42		
JKMxxxN -5RL4-B- V	375	30.27	12.39	36.37	13.15		
	380	30.48	12.47	36.58	13.23		
	385	30.68	12.55	36.78	13.31		
	390	30.88	12.63	36.98	13.39		
	395	31.08	12.71	37.18	13.47		

JKMxxxN -5RL4-TV	365	29.58	12.34	36.06	13.11		
	370	29.77	12.43	36.25	13.2		
	375	29.96	12.52	36.44	13.29		
	380	30.14	12.61	36.62	13.38		
	385	30.32	12.7	36.8	13.47		
	390	30.52	12.78	37	13.55		
	395	30.72	12.86	37.2	13.63		
	400	30.92	12.94	37.4	13.71		
	405	31.11	13.02	37.59	13.79		
Group 76 JKMxxxN -60HL4-V	405	32.74	12.37	40.07	13.11		
	410	32.94	12.45	40.27	13.19		
	415	33.12	12.53	40.45	13.27		
	420	33.31	12.61	40.64	13.35		
	425	33.49	12.69	40.82	13.43		
	430	33.68	12.77	41.01	13.51		
	435	33.86	12.85	41.19	13.59		
	440	34.03	12.93	41.36	13.67		
	445	34.21	13.01	41.54	13.75		
	450	34.38	13.09	41.71	13.83		
	455	34.55	13.17	41.88	13.91		
	460	34.72	13.25	42.05	13.99		
	465	34.89	13.33	42.22	14.07		
	470	35.05	13.41	42.38	14.15		
	475	35.21	13.49	42.54	14.23		
JKMxxxN -60HL4- B-V	425	34.06	12.48	40.83	13.24		
	430	34.24	12.56	41.01	13.32		
	435	34.42	12.64	41.19	13.4		
	440	34.59	12.72	41.36	13.48		
	445	34.77	12.8	41.54	13.56		
JKMxxxN -60HL4- TV	400	32.74	12.22	39.96	12.99		
	405	32.93	12.3	40.15	13.07		
	410	33.12	12.38	40.34	13.15		
	415	33.31	12.46	40.53	13.23		
	420	33.5	12.54	40.72	13.31		
	425	33.68	12.62	40.9	13.39		
	430	33.86	12.7	41.08	13.47		
	435	34.04	12.78	41.26	13.55		
	440	34.22	12.86	41.44	13.63		
	445	34.39	12.94	41.61	13.71		
Group 77	450	34.57	13.02	41.79	13.79		
	415	33.12	12.53	40.45	13.27		

JKMxxxN -6TL4-V	420	33.31	12.61	40.64	13.35		
	425	33.49	12.69	40.82	13.43		
	430	33.68	12.77	41.01	13.51		
	435	33.86	12.85	41.19	13.59		
	440	34.03	12.93	41.36	13.67		
	445	34.21	13.01	41.54	13.75		
	450	34.38	13.09	41.71	13.83		
JKMxxxN -6TL4-B- V	415	33.69	12.32	40.46	13.08		
	420	33.87	12.4	40.64	13.16		
	425	34.06	12.48	40.83	13.24		
	430	34.24	12.56	41.01	13.32		
	435	34.42	12.64	41.19	13.4		
	440	34.59	12.72	41.36	13.48		
JKMxxxN -6TL4-TV	400	32.74	12.22	39.96	12.99		
	405	32.93	12.3	40.15	13.07		
	410	33.12	12.38	40.34	13.15		
	415	33.31	12.46	40.53	13.23		
	420	33.5	12.54	40.72	13.31		
	425	33.68	12.62	40.9	13.39		
	430	33.86	12.7	41.08	13.47		
	435	34.04	12.78	41.26	13.55		
	440	34.22	12.86	41.44	13.63		
	445	34.39	12.94	41.61	13.71		
	450	34.57	13.02	41.79	13.79		
Group 78 JKMxxxN -66HL4-V	445	36.45	12.21	44.48	13.07		
	450	36.62	12.29	44.65	13.14		
	455	36.79	12.37	44.82	13.21		
	460	36.95	12.45	44.98	13.28		
	465	37.11	12.53	45.14	13.35		
	470	37.28	12.61	45.31	13.42		
	475	37.43	12.69	45.46	13.49		
	480	37.59	12.77	45.62	13.56		
	485	37.75	12.85	45.78	13.63		
	490	37.9	12.93	45.93	13.7		
	495	38.05	13.01	46.08	13.77		
	500	38.2	13.09	46.23	13.84		
	505	38.35	13.17	46.38	13.91		
JKMxxxN -66HL4- B-V	465	37.29	12.47	44.74	13.23		
	470	37.48	12.54	44.93	13.3		
	475	37.67	12.61	45.12	13.37		
	480	37.86	12.68	45.31	13.44		

	485	38.04	12.75	45.49	13.51		
	490	38.22	12.82	45.67	13.58		
JKMxxxN -66HL4- TV	440	36.25	12.14	44	12.91		
	445	36.42	12.22	44.19	12.99		
	450	36.59	12.3	44.38	13.07		
	455	36.76	12.38	44.57	13.15		
	460	36.92	12.46	44.75	13.23		
	465	37.09	12.54	44.94	13.31		
	470	37.25	12.62	45.12	13.39		
	475	37.41	12.7	45.3	13.47		
	480	37.56	12.78	45.47	13.55		
	485	37.72	12.86	45.65	13.63		
	490	37.87	12.94	45.82	13.71		
	495	38.02	13.02	45.97	13.79		
Group 79 JKMxxxN -6RL4-V	455	36.79	12.37	44.82	13.21		
	460	36.95	12.45	44.98	13.28		
	465	37.11	12.53	45.14	13.35		
	470	37.28	12.61	45.31	13.42		
	475	37.43	12.69	45.46	13.49		
	480	37.59	12.77	45.62	13.56		
	485	37.75	12.85	45.78	13.63		
	490	37.9	12.93	45.93	13.7		
495	38.05	13.01	46.08	13.77			
JKMxxxN -6RL4-B- V	455	36.91	12.33	44.36	13.09		
	460	37.1	12.4	44.55	13.16		
	465	37.29	12.47	44.74	13.23		
	470	37.48	12.54	44.93	13.3		
	475	37.67	12.61	45.12	13.37		
	480	37.86	12.68	45.31	13.44		
	485	38.04	12.75	45.49	13.51		
JKMxxxN -6RL4-TV	440	36.25	12.14	44	12.91		
	445	36.42	12.22	44.19	12.99		
	450	36.59	12.3	44.38	13.07		
	455	36.76	12.38	44.57	13.15		
	460	36.92	12.46	44.75	13.23		
	465	37.09	12.54	44.94	13.31		
	470	37.25	12.62	45.12	13.39		
	475	37.41	12.7	45.3	13.47		
	480	37.56	12.78	45.47	13.55		
	485	37.72	12.86	45.65	13.63		
490	37.87	12.94	45.82	13.71			

	495	38.02	13.02	45.97	13.79			
Group 80	485	39.72	12.21	48.66	13.08			
	490	39.87	12.29	48.78	13.15			
	495	40.02	12.37	48.9	13.22			
	500	40.16	12.45	49.02	13.29			
	505	40.31	12.53	49.14	13.36			
	510	40.45	12.61	49.26	13.43			
	515	40.59	12.69	49.38	13.5			
	520	40.72	12.77	49.5	13.57			
	525	40.86	12.85	49.62	13.64			
	JKMxxxN -72HL4-V	530	41	12.93	49.74	13.71		
		535	41.13	13.01	49.86	13.77		
		540	41.26	13.09	49.98	13.83		
		545	41.38	13.17	50.1	13.91		
		550	41.51	13.25	50.22	13.99		
		555	41.64	13.33	50.34	14.07		
		560	41.77	13.41	50.47	14.15		
		565	41.92	13.48	50.60	14.23		
570		42.07	13.55	50.74	14.31			
JKMxxxN -72HL4- B-V	510	40.9	12.47	49.16	13.23			
	515	41.07	12.54	49.33	13.3			
	520	41.24	12.61	49.5	13.37			
	525	41.41	12.68	49.67	13.44			
	530	41.57	12.75	49.83	13.51			
	535	41.73	12.82	49.99	13.58			
JKMxxxN -72HL4- TV	480	39.77	12.07	48.86	12.99			
	485	39.92	12.15	48.94	13.05			
	490	40.07	12.23	49.02	13.11			
	495	40.22	12.31	49.1	13.17			
	500	40.36	12.39	49.18	13.23			
	505	40.5	12.47	49.26	13.29			
	510	40.64	12.55	49.34	13.35			
	515	40.78	12.63	49.42	13.41			
	520	40.95	12.7	49.5	13.47			
	525	41.12	12.77	49.58	13.53			
	530	41.28	12.84	49.66	13.59			
	535	41.48	12.9	49.74	13.65			
	540	41.67	12.96	49.87	13.71			
	545	41.86	13.02	50	13.77			
Group 81	495	40.02	12.37	48.9	13.22			
	500	40.16	12.45	49.02	13.29			

JKMxxxN -7TL4-V	505	40.31	12.53	49.14	13.36		
	510	40.45	12.61	49.26	13.43		
	515	40.59	12.69	49.38	13.5		
	520	40.72	12.77	49.5	13.57		
	525	40.86	12.85	49.62	13.64		
	530	41	12.93	49.74	13.71		
	535	41.13	13.01	49.86	13.77		
	540	41.26	13.09	49.98	13.83		
JKMxxxN -7TL4-B- V	495	40.38	12.26	48.64	13.02		
	500	40.56	12.33	48.82	13.09		
	505	40.73	12.4	48.99	13.16		
	510	40.9	12.47	49.16	13.23		
	515	41.07	12.54	49.33	13.3		
	520	41.24	12.61	49.5	13.37		
	525	41.41	12.68	49.67	13.44		
	530	41.57	12.75	49.83	13.51		
JKMxxxN -7TL4-TV	480	39.77	12.07	48.86	12.99		
	485	39.92	12.15	48.94	13.05		
	490	40.07	12.23	49.02	13.11		
	495	40.22	12.31	49.1	13.17		
	500	40.36	12.39	49.18	13.23		
	505	40.5	12.47	49.26	13.29		
	510	40.64	12.55	49.34	13.35		
	515	40.78	12.63	49.42	13.41		
	520	40.95	12.7	49.5	13.47		
	525	41.12	12.77	49.58	13.53		
	530	41.28	12.84	49.66	13.59		
	535	41.48	12.9	49.74	13.65		
	540	41.67	12.96	49.87	13.71		
Group 82 JKMxxxN -7RL4-V	535	43.75	12.23	53.2	13.05		
	540	43.87	12.31	53.32	13.12		
	545	43.99	12.39	53.44	13.19		
	550	44.14	12.46	53.56	13.26		
	555	44.3	12.53	53.68	13.33		
	560	44.38	12.62	53.8	13.4		
	565	44.49	12.7	53.92	13.47		
	570	44.6	12.78	54.04	13.54		
	575	44.72	12.86	54.16	13.61		
	580	44.83	12.94	54.26	13.69		
585	44.94	13.02	54.36	13.77			
590	45.04	13.1	54.46	13.85			

JKMxxxN -7RL4-B- V	540	44.02	12.27	53.11	13.02		
	545	44.17	12.34	53.26	13.09		
	550	44.32	12.41	53.41	13.16		
	555	44.47	12.48	53.56	13.23		
	560	44.62	12.55	53.71	13.3		
	565	44.77	12.62	53.86	13.37		
	570	44.92	12.69	54.01	13.44		
	575	45.07	12.76	54.16	13.51		
JKMxxxN -7RL4-TV	520	42.63	12.2	53.13	13.13		
	525	42.83	12.26	53.22	13.18		
	530	43.02	12.32	53.31	13.23		
	535	43.22	12.38	53.4	13.28		
	540	43.41	12.44	53.49	13.33		
	545	43.6	12.5	53.58	13.37		
	550	43.79	12.56	53.67	13.41		
	555	43.98	12.62	53.76	13.45		
	560	44.17	12.68	53.85	13.49		
	565	44.35	12.74	53.94	13.53		
	570	44.53	12.8	54.03	13.57		
	575	44.72	12.86	54.12	13.61		
580	44.89	12.92	54.21	13.65			
585	45.07	12.98	54.3	13.69			
Group 83	565	44.67	12.65	53.34	13.48		
	570	44.78	12.73	53.45	13.56		
	575	44.89	12.81	53.56	13.64		
	580	45.00	12.89	53.67	13.72		
	585	45.11	12.97	53.78	13.80		
	590	45.21	13.05	53.89	13.88		
	595	45.32	13.13	54.00	13.96		
	600	45.42	13.21	54.11	14.04		
Group 84	555	44.47	12.48	53.22	13.41		
	560	44.59	12.56	53.33	13.49		
	565	44.70	12.64	53.44	13.57		
	570	44.81	12.72	53.55	13.65		
	575	44.92	12.80	53.66	13.73		
	580	45.03	12.88	53.77	13.81		
	585	45.14	12.96	53.88	13.89		
	590	45.25	13.04	53.99	13.97		
595	45.35	13.12	54.10	14.05			
Group 85	400	40.90	9.78	48.90	10.47		

	405	41.20	9.83	49.20	10.52		
	410	41.50	9.88	49.50	10.57		
	415	41.80	9.93	49.80	10.62		
	420	42.09	9.98	50.09	10.67		
	425	42.38	10.03	50.38	10.72		
	430	42.66	10.08	50.66	10.77		
	435	42.94	10.13	50.94	10.82		
	440	43.22	10.18	51.22	10.87		
	445	43.50	10.23	51.50	10.92		
Group 86	330	34.70	9.51	41.32	10.52		
	335	34.83	9.62	41.45	10.63		
	340	34.95	9.73	41.58	10.74		
	345	35.06	9.84	41.69	10.85		
	350	35.17	9.95	41.80	10.96		
	355	35.29	10.06	41.92	11.07		
	360	35.40	10.17	42.04	11.18		
	365	35.51	10.28	42.15	11.29		
	370	35.62	10.39	42.26	11.40		
Group 87	590	45.18	13.06	54.65	13.83		
	595	45.29	13.14	54.80	13.90		
	600	45.39	13.22	54.95	13.97		
	605	45.49	13.3	55.10	14.04		
	610	45.59	13.38	55.25	14.11		
	615	45.69	13.46	55.40	14.18		

Note

Global Sales & Marketing Center

Jinko Building
#99 Shouyang Road, Jingan District,
Shanghai, China 200027
Tel: +86 21 5183 8777
Fax: +86 21 5180 8600

Jiangxi Manufacture Base

No.1 Jinko Road,
Shangrao Economic Development Zone,
Jiangxi Province, China 334100
Tel:+86 793 858 8188
Fax:+86 793 846 1152

Zhejiang Manufacture Base

No.58 Yuanxi Road,
Haining Yuanhua Industrial Park,
Zhejiang Province, China 314416
Tel: +86 573 8798 5678
Fax: +86 573 8787 1070